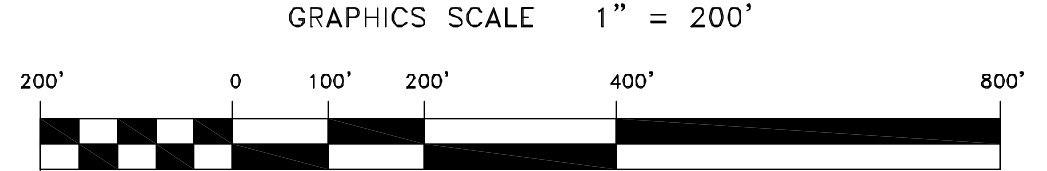
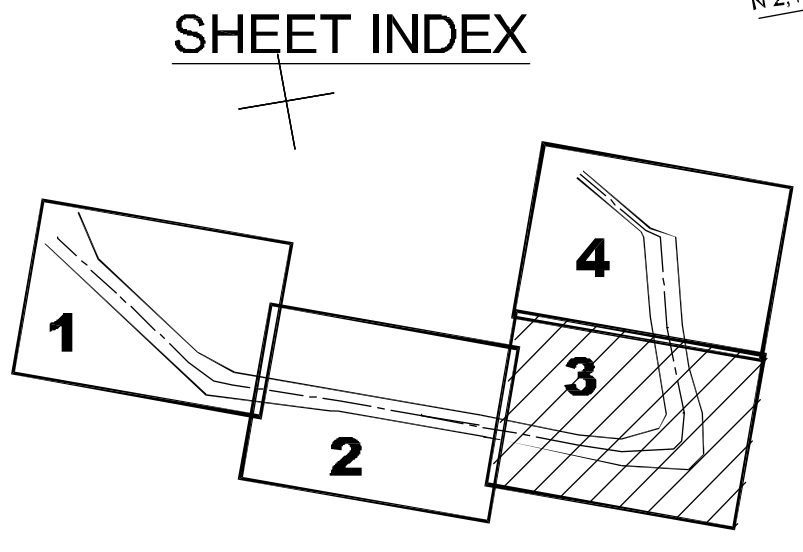


PRELIMINARY ISSUE
 THIS PLAN ISSUED FOR
 ADVANCE INFORMATION ONLY

N.A.D 1983 FEET COORDINATES

CHANNEL	NORTH	EAST
08	2156972.67	6020299.00
09	2157666.40	6019811.96
10	2156366.16	6023187.69
11	2157068.34	6022179.34
12	2156266.20	6024797.51
13	2156977.43	6023175.20
14	2156630.06	6025133.87
15	2157243.59	6024071.67
16	2157620.81	6025096.39
17	2157571.89	6024244.59
18	2156699.14	6024794.29
19	2159896.43	6023863.10
20	2159700.46	6024629.96



US Army Corps
of Engineers
San Francisco District
1455 Market Street
San Francisco, CA 94103

DESIGNED BY: PDT

DATE: 11/4/2001

APPROVAL RECOMMENDED: [Signature]

APPROVED: [Signature]

Chief, Construction Branch

CHECKED BY: PDT

SHEET NO. 3 OF 4

DATE PREPARED: 11/4/2001

PREPARED UNDER THE DIRECTION OF
TORREY A. DIGIRO

LT. COLONEL, C.E., DISTRICT ENGINEER

CALIFORNIA

RICHMOND INNER HARBOR
 PREDREGE SURVEY
 08 SEPTEMBER, 17, 21-25 OCTOBER
 and 01 NOVEMBER 2011

ALAMEDA COUNTY

Sheet
reference
number
C3