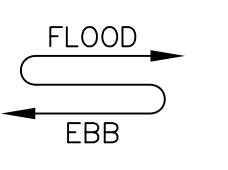
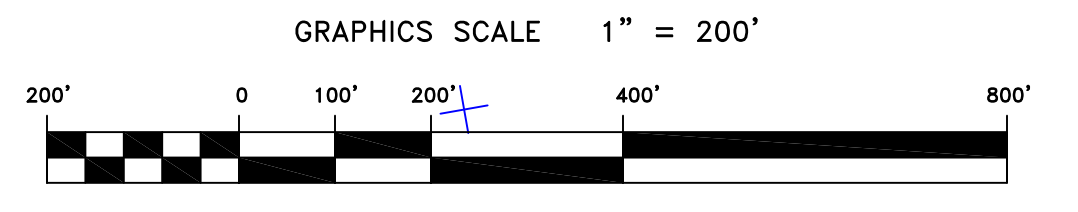
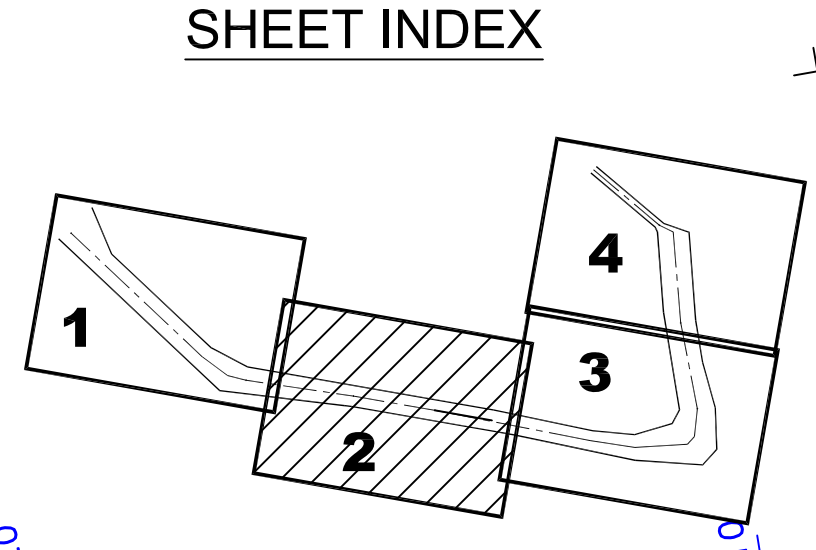


PRELIMINARY ISSUE
THIS PLAN ISSUED FOR
ADVANCE INFORMATION ONLY



Sta.	Water	Ground	Proposed	Remarks
65+00	37.3	37.5	37.5	
66+00	37.3	37.5	37.5	
67+00	37.3	37.5	37.5	
68+00	37.3	37.5	37.5	
69+00	37.3	37.5	37.5	
70+00	37.3	37.5	37.5	
71+00	37.3	37.5	37.5	
72+00	37.3	37.5	37.5	
73+00	37.3	37.5	37.5	
74+00	37.3	37.5	37.5	
75+00	37.3	37.5	37.5	
76+00	37.3	37.5	37.5	
77+00	37.3	37.5	37.5	
78+00	37.3	37.5	37.5	
79+00	37.3	37.5	37.5	
80+00	37.3	37.5	37.5	
81+00	37.3	37.5	37.5	
82+00	37.3	37.5	37.5	
83+00	37.3	37.5	37.5	
84+00	37.3	37.5	37.5	
85+00	37.3	37.5	37.5	
86+00	37.3	37.5	37.5	
87+00	37.3	37.5	37.5	
88+00	37.3	37.5	37.5	
89+00	37.3	37.5	37.5	
90+00	37.3	37.5	37.5	
91+00	37.3	37.5	37.5	
92+00	37.3	37.5	37.5	
93+00	37.3	37.5	37.5	
94+00	37.3	37.5	37.5	
95+00	37.3	37.5	37.5	
96+00	37.3	37.5	37.5	
97+00	37.3	37.5	37.5	
98+00	37.3	37.5	37.5	
99+00	37.3	37.5	37.5	
100+00	37.3	37.5	37.5	
101+00	37.3	37.5	37.5	
102+00	37.3	37.5	37.5	
103+00	37.3	37.5	37.5	
104+00	37.3	37.5	37.5	
105+00	37.3	37.5	37.5	
106+00	37.3	37.5	37.5	
107+00	37.3	37.5	37.5	
108+00	37.3	37.5	37.5	
109+00	37.3	37.5	37.5	
110+00	37.3	37.5	37.5	
111+00	37.3	37.5	37.5	
112+00	37.3	37.5	37.5	
113+00	37.3	37.5	37.5	
114+00	37.3	37.5	37.5	
115+00	37.3	37.5	37.5	
116+00	37.3	37.5	37.5	
117+00	37.3	37.5	37.5	
118+00	37.3	37.5	37.5	
119+00	37.3	37.5	37.5	
120+00	37.3	37.5	37.5	

US Army Corps of Engineers
San Francisco District
1455 Market Street
San Francisco, CA 94103

ALAMEDA COUNTY CALIFORNIA
RICHMOND INNER HARBOR
POSTDRIDGE SURVEY
17-19, 21, 28, 31 OCTOBER 2011
21 & 29 NOVEMBER 2011
7-8 DECEMBER 2011

Matchlines:
A: N 37-54-10 / W 122-23-50
B: N 37-54-30 / W 122-23-50
C: N 37-54-40 / W 122-23-50
Easting: E 6,016,602

Sheet reference number C2

Submitted by: **Hydra Survey Team Leader**
Approval Recommended by: **Chief, Geomatics Section**
Approved by: **Chief, Construction Branch**

DESIGNED BY:	CHECKED BY:	DRAWN BY:	PDT
DATE:	12/14/2011	SHEET NO.:	2 OF 4
PREPARED UNDER THE DIRECTION OF:		TORREY A. DIORO	LT. COLONEL, C.E., DISTRICT ENGINEER