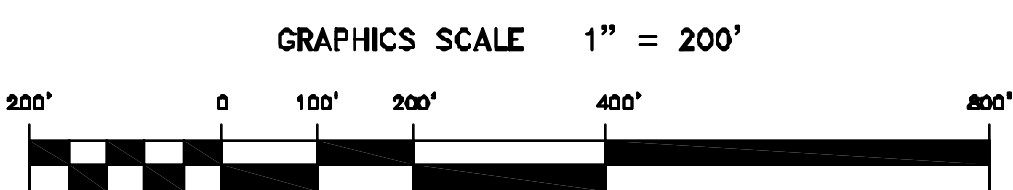
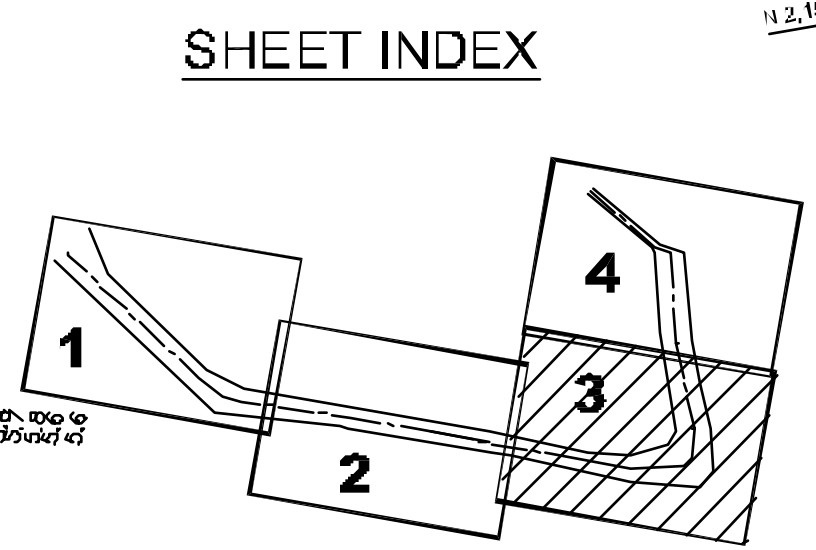




PRELIMINARY ISSUE
THIS PLAN ISSUED FOR
ADVANCE INFORMATION ONLY

N.A.D 1983 FEET COORDINATES

CHANNEL	NORTH	EAST
06	2'588'72.57	8020'289.00
09	2'588'55.16	8020'887.88
10	2'588'55.75	8022'787.89
11	2'588'34.21	8022'787.89
12	2'582'56.20	8024'197.57
13	2'588'77.43	8023'752.20
14	2'586'30.06	8023'33.57
15	2'582'43.89	8024'07.57
16	2'585'20.87	8023'96.38
17	2'585'77.88	8024'24.58
18	2'586'99.74	8024'194.28
19	2'588'95.13	8023'863.70
20	2'587'00.15	8024'28.86



US Army Corps of Engineers
San Francisco District
1455 Market Street
San Francisco, CA 94103

Mark	Description	Date	Appr.

SUBMITTED BY: MC Major Steven Thom, Leader	DESIGNED BY:	CHECKED BY:	DRAWN BY:
	TYW	TYW	EWG
APPROVAL REQUIREMENTS:	DATE:	SHEET NO.:	DRAWING NO.:
CHW, Technical Support Section	5/2/2008	3 OF 4	9 2 357
APPROVED:	PREPARED UNDER THE DIRECTION OF		
	CRAIG W. KILEY		
	LT. COLONEL, C.E., DISTRICT ENGINEER		

ALAMEDA COUNTY
RICHMOND INNER HARBOR
CONDITION SURVEY
25 & 28 APRIL 2008

Sheet reference number
C3