



MATCHLINE - SHEET 4

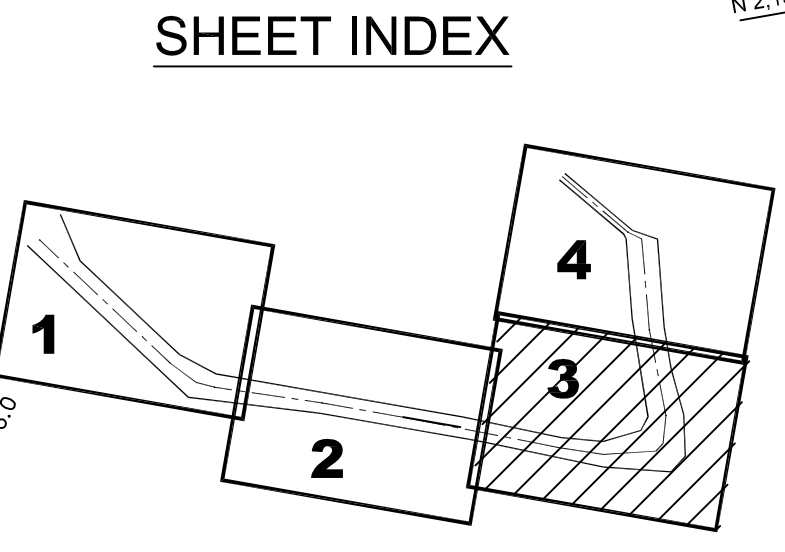
POINT POTRERO

SAN FRANCISCO BAY

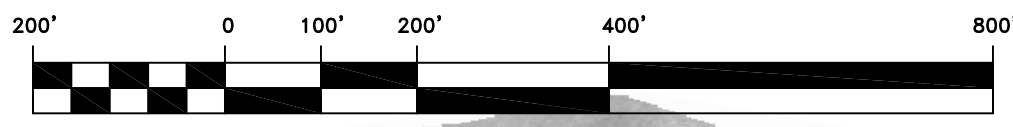
BROOKS ISLAND

PRELIMINARY ISSUE
THIS PLAN ISSUED FOR
ADVANCE INFORMATION ONLY

N.A.D 1983 FEET COORDINATES		
CHANNEL	NORTH	EAST
08	2156972.67	6020299.00
09	2157565.40	6019811.96
10	2156366.16	6023187.69
11	2157068.34	6023179.34
12	2156255.20	6024797.51
13	2156977.43	6023175.20
14	2156630.06	6025133.87
15	2157243.59	6024071.67
16	2157620.81	6025096.39
17	2157571.89	6024244.59
18	2158699.14	6024794.29
19	2159896.43	6023863.10
20	2159700.46	6024623.96



GRAPHICS SCALE 1" = 200'



US Army Corps of Engineers
San Francisco District
1455 Market Street
San Francisco, CA 94103

DESIGNED BY: MC	CHECKED BY: DRAWN BY: EWC	TW	EWC

ALAMEDA COUNTY CALIFORNIA
RICHMOND INNER HARBOR
CONDITION SURVEY
13-14 JANUARY 2009

Sheet reference number
C3