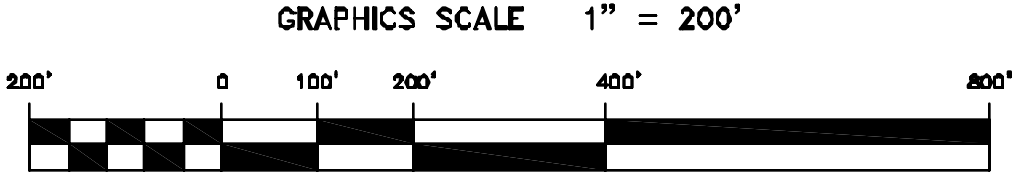
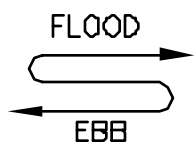
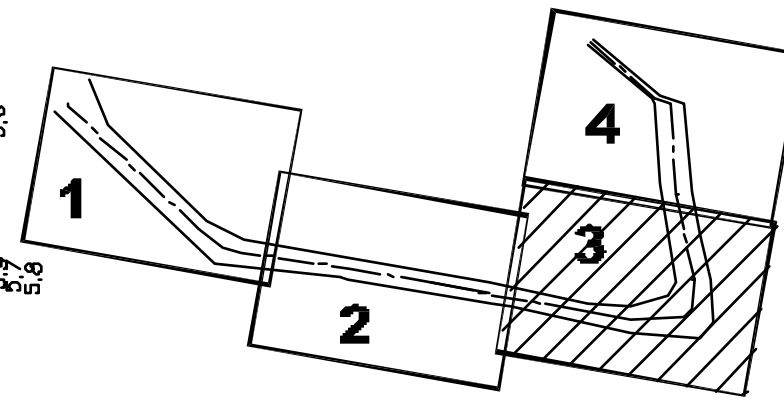


MATCHLINE - SHEET 4

PRELIMINARY ISSUE  
 HORIZONTAL CONTROL  
 ADVANCED IN OTHER CHANNELS

CHANNEL	NORTH	EAST
08	2'58872.57	6020289.00
09	2'58885.16	6020311.58
10	2'58955.75	6020378.58
11	2'59088.31	6020478.31
12	2'58256.20	6020197.57
13	2'58877.43	6020375.20
14	2'58830.06	6020333.57
15	2'57243.88	6020107.57
16	2'57520.87	6020095.38
17	2'57577.88	6020244.88
18	2'58889.74	6020194.28
19	2'58895.43	6020363.70
20	2'58700.15	6020260.86

SHEET INDEX



US Army Corps  
of Engineers  
San Francisco District  
1455 Market Street  
San Francisco, CA 94103

Mark	Description	Date	Appr.

DESIGNED BY: MC  
 CHECKED BY: TWV  
 DRAWN BY: EWC  
 DATE: 11/2/2007  
 SHEET NO. 3 OF 4  
 DRAWING NO. 354  
 PREPARED UNDER THE DIRECTION OF  
 CRAIG W. KILEY  
 LT. COLONEL, C.E., DISTRICT ENGINEER

CALIFORNIA  
 RICHMOND INNER HARBOR  
 POSTDRUDGE SURVEY  
 18-19 & 23-24 & 30 OCTOBER 2007

Sheet reference number  
**C3**