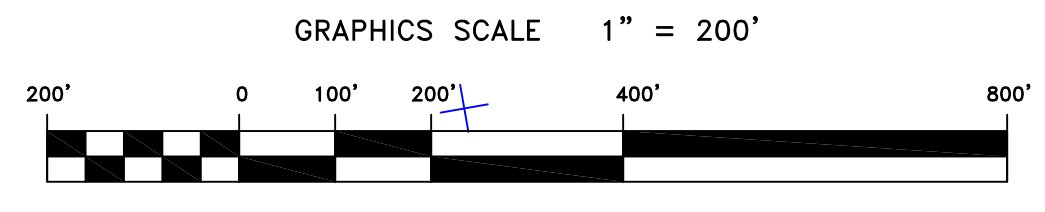
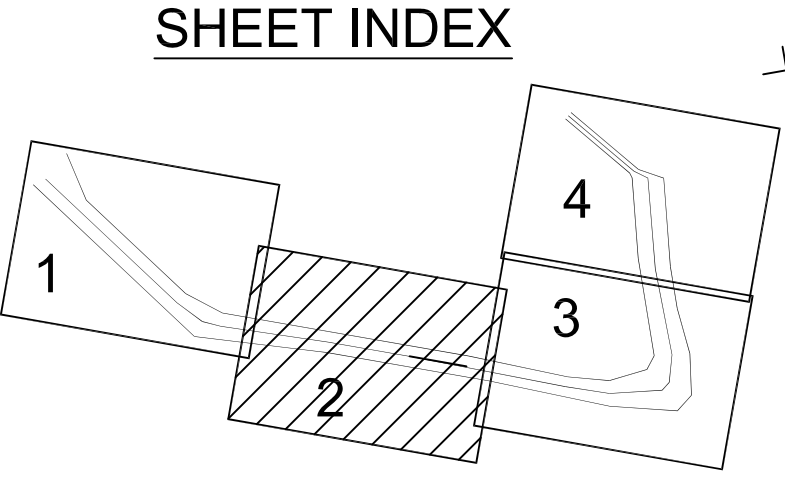


LEGEND:

- 37'
- 36'
- 35'
- 34'
- 33'



US Army Corps
 of Engineers
 San Francisco District
 1455 Market Street
 San Francisco, CA 94103

Mark	Description	Date	Appr.

SUBMITTED:	PDT	CHECKED BY:	PDT	PDT
	Hydro Survey Team Leader			
APPROVAL RECOMMENDED:		DATE:	SHEET NO.	DRAWING NO.
	Chief, Hydro Survey Section	3/17/2015	2 OF 4	9 2 XXX
APPROVED:		PREPARED UNDER THE DIRECTION OF		
		JOHN C. MORROW		
	Chief, Construction Branch	LT. COLONEL, C.E., DISTRICT ENGINEER		

ALAMEDA COUNTY
 RICHMOND INNER HARBOR
 COMPOSITE POSTREDGE SURVEYS
 REACH 4
 03, 12-13 MARCH 2015

Sheet
 reference
 number
C2