

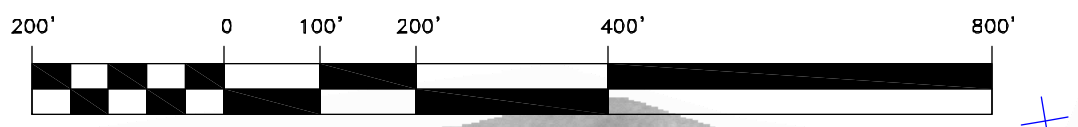


POINT POTRERO

SAN FRANCISCO BAY

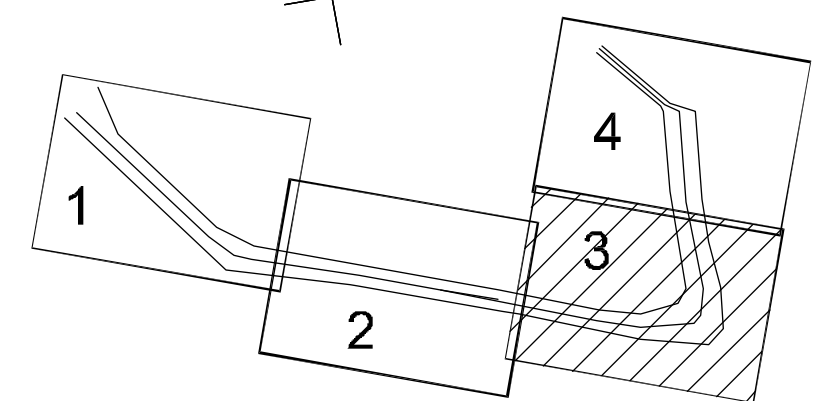
BROOKS ISLAND

GRAPHICS SCALE 1" = 200'



CHANNEL	NORTH	EAST
08	2156972.67	6020299.00
09	2157565.40	6019811.96
10	2156366.16	6023187.69
11	2157068.34	6022179.34
12	2156266.20	6024797.51
13	2156877.43	6023175.20
14	2156830.06	6025133.87
15	2157243.59	6024071.67
16	2157620.81	6025096.39
17	2157571.89	6024244.59
18	2158699.14	6024794.29
19	2159896.43	6023863.10
20	2159700.46	6024829.96

SHEET INDEX



US Army Corps of Engineers
San Francisco District
1455 Market Street
San Francisco, CA 94103

Mark	Description	Date	Appr.

SUBMITTED:	PDT	CHECKED BY:	DRAWN BY:
	Hydro Survey Team Leader	PDT	PDT
APPROVAL RECOMMENDED:	SHEET NO.	DATE:	DRAWING NO.
	3 OF 4	1/28/2015	9 2
APPROVED:	PREPARED UNDER THE DIRECTION OF		XXX
	JOHN C. MORROW		
			LT. COLONEL, C.E., DISTRICT ENGINEER

CALIFORNIA
ALAMEDA COUNTY
RICHMOND INNER HARBOR
REACH 7
POST DREDGE SURVEY
20 JANUARY 2015

Sheet reference number
C3