

N 2,156,212

N 2,157,212

N 2,158,212

N 2,159,212

C

A

B

W 122-23-50

N 37-54-10

N 37-54-20

N 37-54-30

N 37-54-40

W 122-23-40

E 6,014,642

W 122-23-40

FLOOD

EBB

Richmond Harbor Channel Lighted Buoy 6

POINT RICHMOND

E 6,015,642

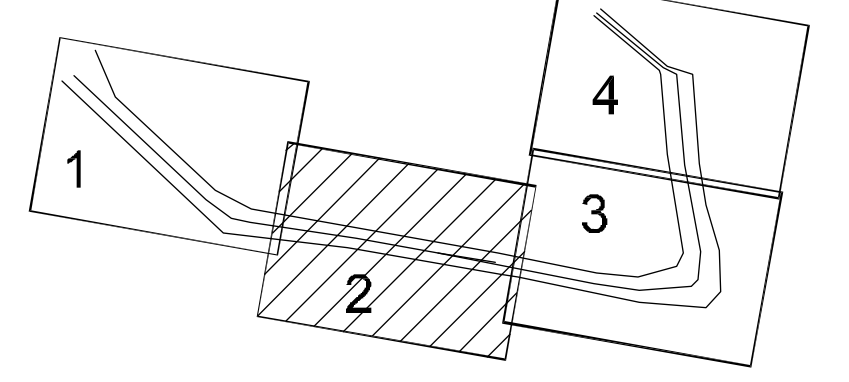
W 122-23-30

N 37-54-0

E 6,016,642

W 122-23-20

SHEET INDEX



Richmond Harbor Approach Range Front Light

TERMINAL NO. 1

PARR RICHMOND

Richmond Harbor Channel Lighted Buoy 7

RICHMOND TRAINING WALL

Richmond Harbor Channel Light 8

E 6,017,642

W 122-23-10

W 122-23-0

E 6,018,642

W 122-22-50

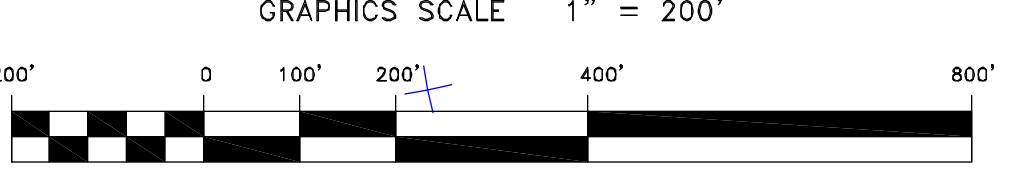
W 122-22-40

N 37-54-20

N 37-54-30

N 37-54-40

MATCHLINE - SHEET 3



US Army Corps of Engineers
 San Francisco District
 1455 Market Street
 San Francisco, CA 94103

Mark	Description	Date	Appr.

SUBMITTED:	PDT	CHECKED BY:	DRAWN BY:	PDT	PDT
Hydro Survey Team Leader					
APPROVAL RECOMMENDED:		DATE:			
Chief, Hydro Survey Section		1/28/2015		SHEET NO. 2 OF 4	DRAWING NO. 9 2
APPROVED:					XXX
					PREPARED UNDER THE DIRECTION OF
					JOHN C. MORROW
					Lt. COLONEL, C.E., DISTRICT ENGINEER

ALAMEDA COUNTY CALIFORNIA

RICHMOND INNER HARBOR

REACH 7

POST DREDGE SURVEY

20 JANUARY 2015

Sheet reference number

C2