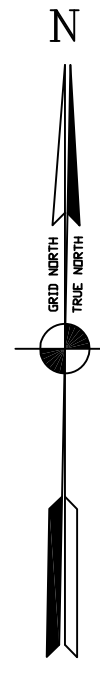
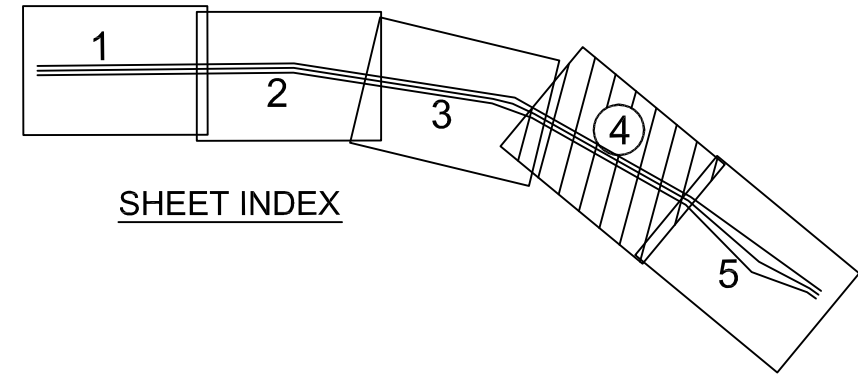
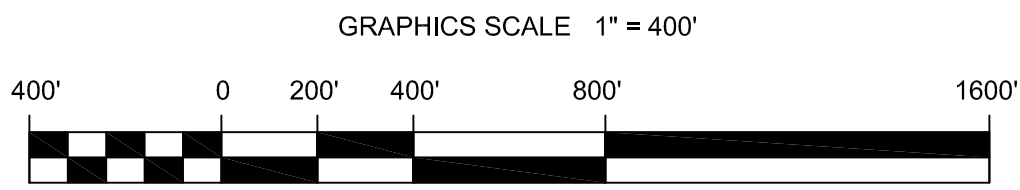


PRELIMINARY ISSUE
THIS PLAN ISSUED FOR
ADVANCE INFORMATION ONLY



LEGEND:	
	-35'
	-34'
	-33'
	-32'
	-31'



US Army Corps
of Engineers
San Francisco District
1455 Market Street
San Francisco, CA 94103

Mark	Description	Date	Appr.

SUBMITTED:	PDT	CHECKED BY:	DRAWN BY:
	Hydro Survey Team Leader	PDT	PDT
APPROVAL RECOMMENDED:	SHEET NO.	DATE:	DRAWING NO.
	3 OF 5	02/21/2010	3 2
APPROVED:	CHIEF, Technical Support Section	PREPARED UNDER THE DIRECTION OF	
	Chief, Construction Branch	LAURENCE M. FARRELL	
			LT. COLONEL, C.E., DISTRICT ENGINEER

SAN PABLO BAY
CALIFORNIA
PINOLE SHOALS
RE-ALIGNMENT CONDITION SURVEY
16, 18 & 19 FEBRUARY 2010

Sheet
reference
number
C4