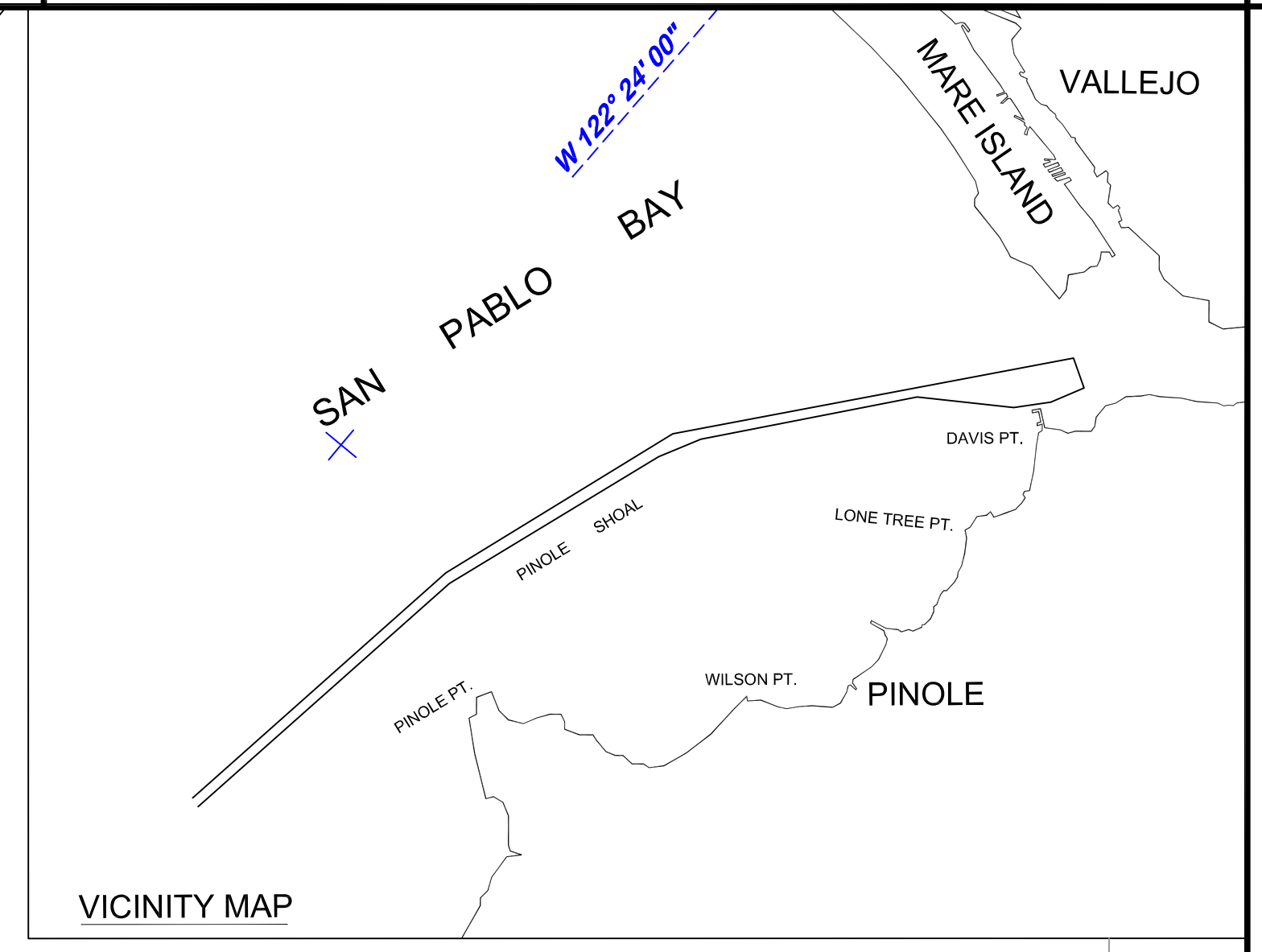
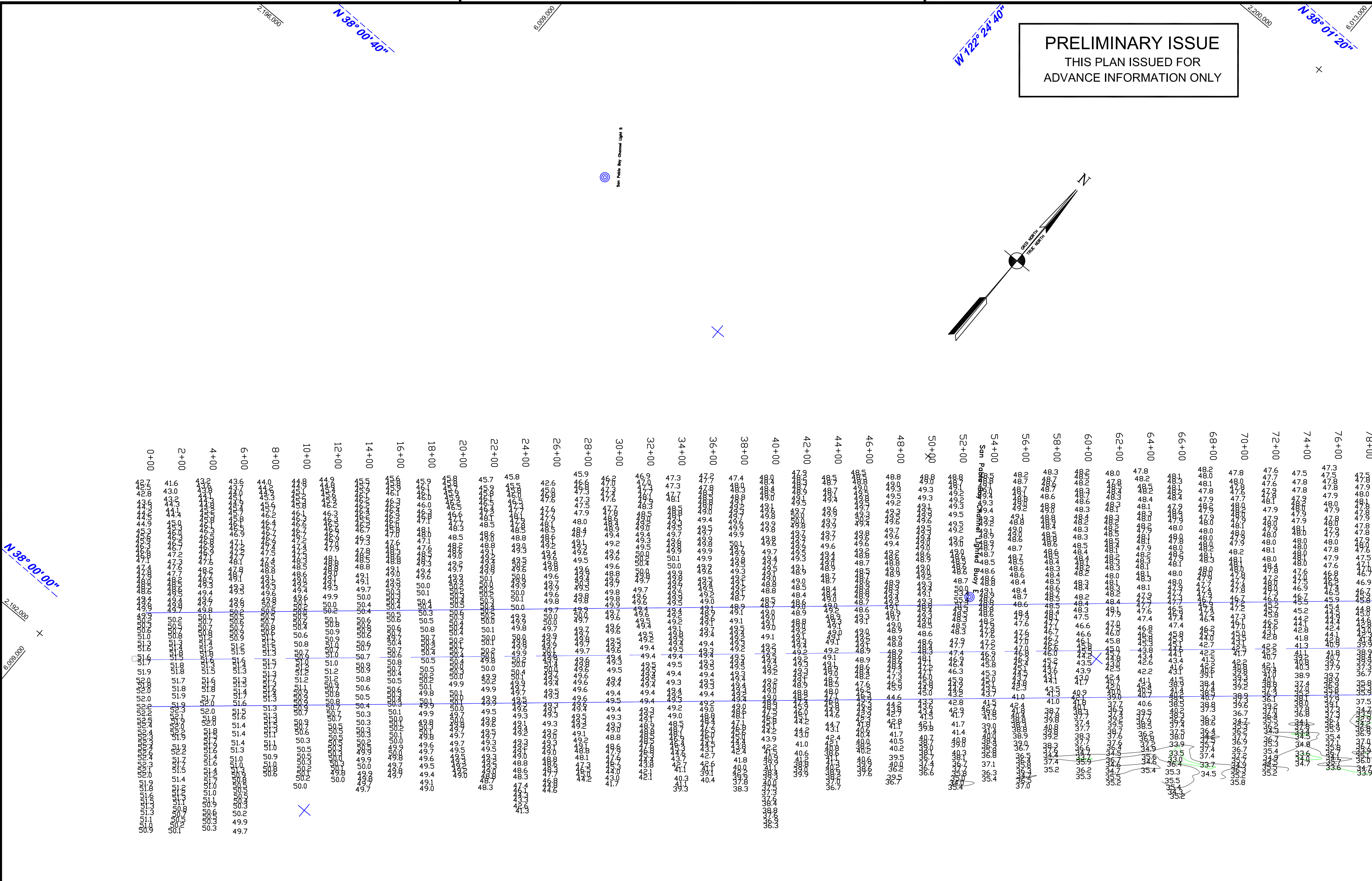


**PRELIMINARY ISSUE**  
THIS PLAN ISSUED FOR  
ADVANCE INFORMATION ONLY

**US Army Corps  
of Engineers**  
San Francisco District  
1455 Market Street  
San Francisco, CA 94103



Mark	Description	Date	Appr.



DESIGNED BY:	LAURENCE M. FARRELL LT. COLONEL, C.E., DISTRICT ENGINEER
CHECKED BY:	PDT
DATE:	02/21/2010
SHEET NO.:	3 OF 5
DRAWING NO.:	2 XXX
APPROVED:	PREPARED UNDER THE DIRECTION OF LAURENCE M. FARRELL DISTRICT ENGINEER

SAN PABLO BAY  
CALIFORNIA  
PINOLE SHOALS  
RE-ALIGNMENT CONDITION SURVEY  
16, 18 & 19 FEBRUARY 2010

**LEGEND:**

—	-35'
—	-34'
—	-33'
—	-32'
—	-31'

**NOTES:**

DRAWINGS NOT TO BE USED AS NAVIGATION. ONLY CHANNEL CONDITION AT DATE OF SURVEY. THE LOCATION OF ALL NAVIGATION AIDS ARE BASED ON INFORMATION PROVIDED BY THE U.S. COAST GUARD BUOY LOCATION REPRESENT THE POSITION OF THE SINKER ONLY.

SURVEYED BY THE CORPS OF ENGINEERS. THIS SURVEY CONSISTS OF ONLY STATIONS 0+00 TO 174+00 & 290+00 TO 332+00.

SOUNDINGS WERE TAKEN BY FATHOMETER AND ARE SHOWN TO THE NEAREST TENTH OF A FOOT.

SOUNDINGS ARE BASED ON THE DATUM OF MEAN LOWER LOW WATER AT THE LOCALITY, NAVD 88.

PLANE GRID AND COORDINATES ARE BASED ON THE STATE OF CALIFORNIA COORDINATE SYSTEM, LAMBERT CONFORMAL PROJECTION, ZONE II NAD 83, CALIFORNIA, AS DESCRIBED IN SPECIAL PUBLICATION NO. 235, PUBLISHED BY THE NATIONAL OCEAN SURVEY.

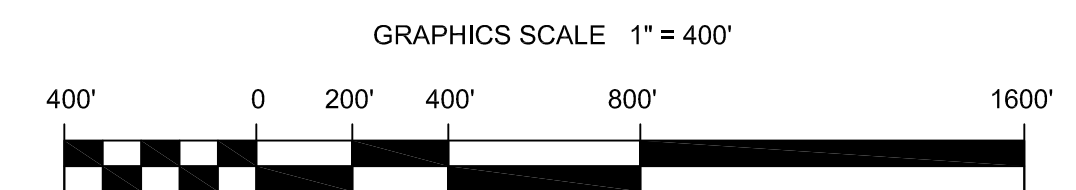
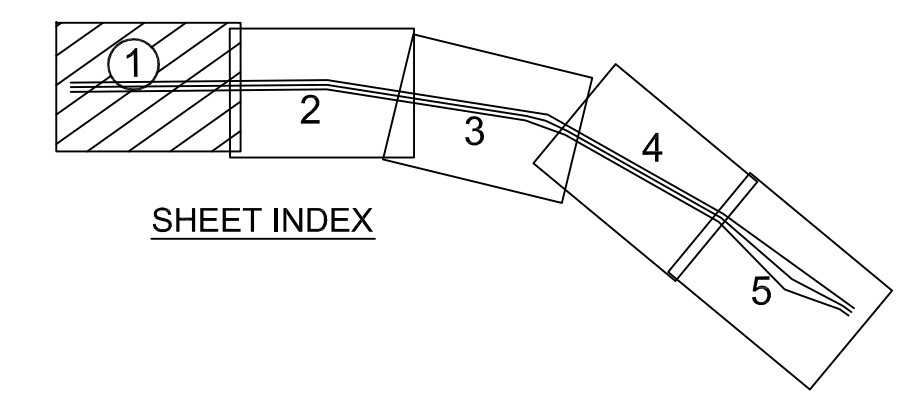
THE PROJECT DEPTH IS 35 FEET AT M.L.L.W.

VERTICAL CONTROL  
BENCHMARK "5056 C" (1976) USC&GS DISK, ELEV. 34.75 MLLW, NAVD 88 DATUM TIDE GAUGE LOCATED AT POINT PINOLE PIER.

BENCHMARK "5218 L" (1976) USC&GS DISK, ELEV. 11.00 MLLW, NAVD 88 DATUM TIDE GAUGE LOCATED AT MARE ISLAND PIER 35.

HORIZONTAL GPS CONTROL  
COAST GUARD D-BEACON

NAD 83 CHANNEL ANGLE POINTS			NAD 83 CENTERLINE ANGLE POINTS		
PT	X	Y	PT	X	Y
1	6009438.16	2192533.46	C1	6009631.93	2192304.35
2	6022201.66	2203326.13	C2	6022376.63	2203081.13
3	6034692.58	2210763.40	C3	6033649.18	2209793.00
4	6047610.63	2213082.81	C4	6034836.66	2210359.38
5	6058087.95	2213781.27	C5	6036340.65	2210754.51
6	6058127.86	2213182.59	C6	6047663.65	2212787.53
7	6057419.43	2213135.37	C7	6053760.51	2212668.82
8	6053815.20	2211849.50	C8	6057399.48	2213434.70
9	6047716.66	2212492.26	C9	6058107.91	2213481.93
10	6036393.66	2210459.23			
11	6033802.66	2209535.23			
12	6022551.66	2202836.23			
13	6009825.66	2192075.23			



Sheet reference number  
**C1**