

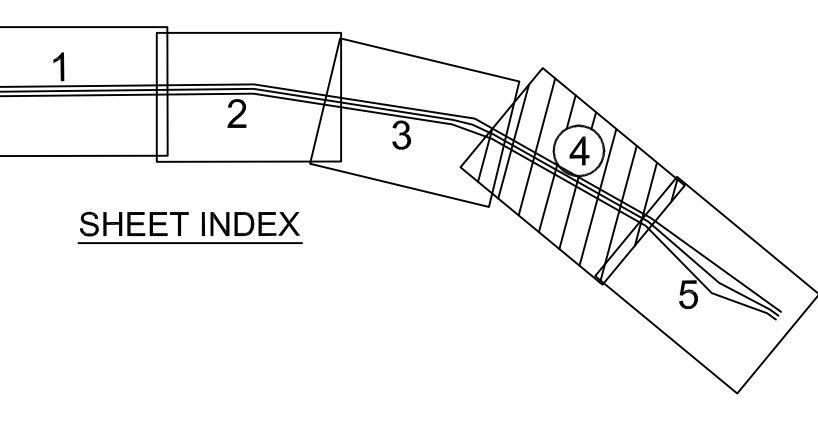
US Army Corps
of Engineers
San Francisco District
1455 Market Street
San Francisco, CA 94103

Mark	Description	Date	Appr.
00+49.4			
443+00			
442+00			
441+00			
440+00			
439+00			
438+00			
437+00			
436+00			
435+00			
434+00			
433+00			
432+00			
431+00			
430+00			
429+00			
428+00			
427+00			
426+00			
425+00			
424+00			
423+00			
422+00			
421+00			
420+00			
419+00			
418+00			
417+00			
416+00			
415+00			
414+00			
413+00			
412+00			
411+00			
410+00			
409+00			
408+00			
407+00			
406+00			
405+00			
404+00			
403+00			
402+00			
401+00			
400+00			
399+00			
398+00			
397+00			
396+00			
395+00			
394+00			
393+00			
392+00			
391+00			
390+00			
389+00			
388+00			
387+00			
386+00			
385+00			
384+00			
383+00			
382+00			
381+00			
380+00			
379+00			
378+00			
377+00			
376+00			
375+00			
374+00			
373+00			
372+00			
371+00			
370+00			
369+00			
368+00			
367+00			
366+00			
365+00			
364+00			
363+00			
362+00			
361+00			
360+00			
359+00			
358+00			
357+00			
356+00			
355+00			
354+00			
353+00			
352+00			
351+00			
350+00			
349+00			
348+00			
347+00			
346+00			
345+00			
344+00			
343+00			
342+00			
341+00			
340+00			
339+00			
338+00			
337+00			
336+00			
335+00			
334+00			
333+00			
332+00			
331+00			
330+00			
329+00			
328+00			
327+00			
326+00			

DESIGNED BY:	LAURENCE M. FARRELL
	LT. COLONEL, C.E., DISTRICT ENGINEER
CHECKED BY:	EWC
	TVW
SUBMITTED:	PC
	Hydro Survey Team Leader
APPROVAL RECOMMENDED:	Chief, Technical Support Section
	Chief, Construction Branch
DATE:	10/25/2009
SHEET NO.	3 OF 5
DRAWING NO.	2
DRAWN BY:	EWC
PREPARED UNDER THE DIRECTION OF:	LAURENCE M. FARRELL

CALIFORNIA
SAN PABLO BAY
PINOLE SHOALS
PREDREDGE SURVEY
4-5, 8 & 14 OCTOBER 2009

Sheet reference number
C4



MATCHLINE - SHEET 5

MATCHLINE - SHEET 3

