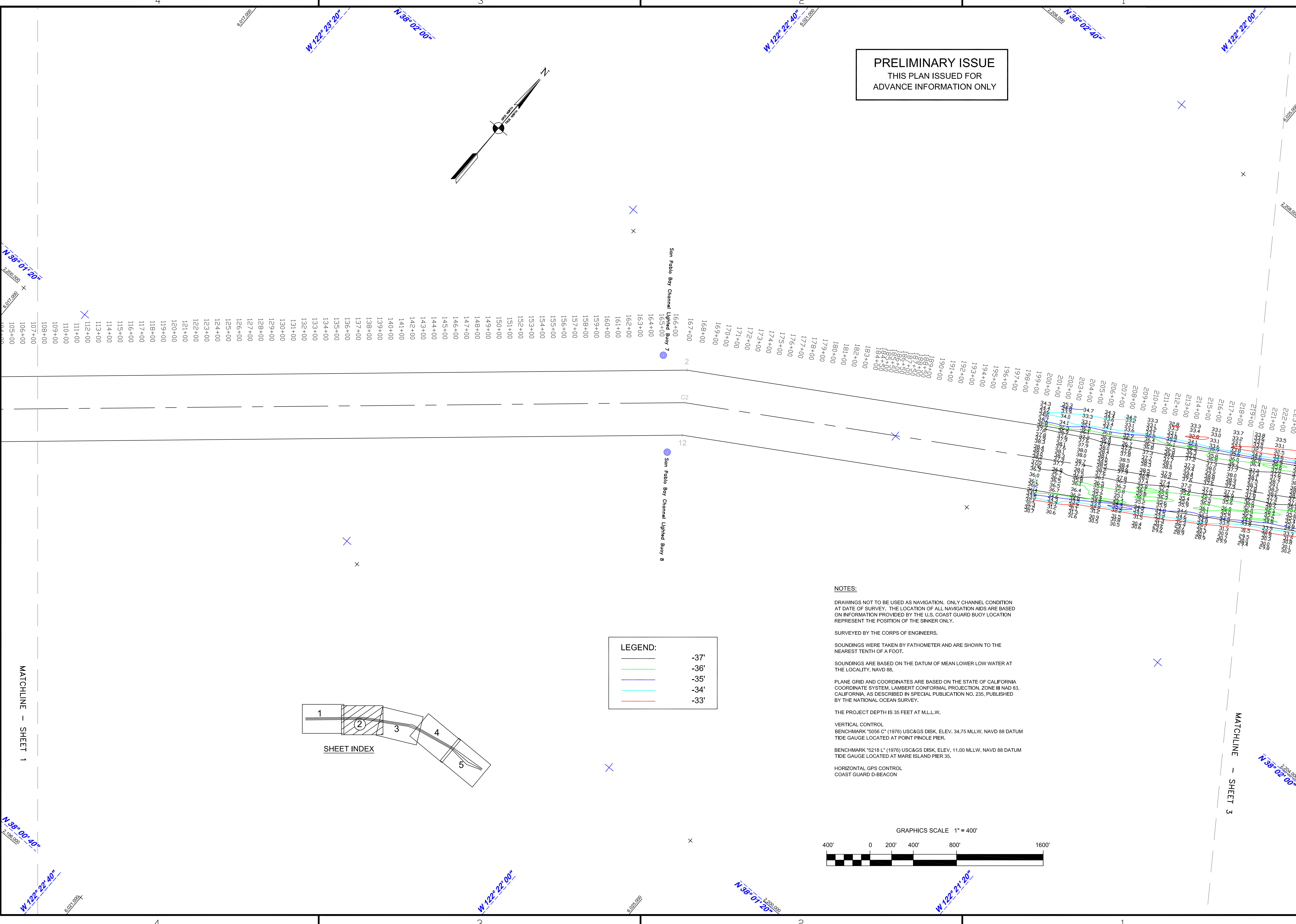
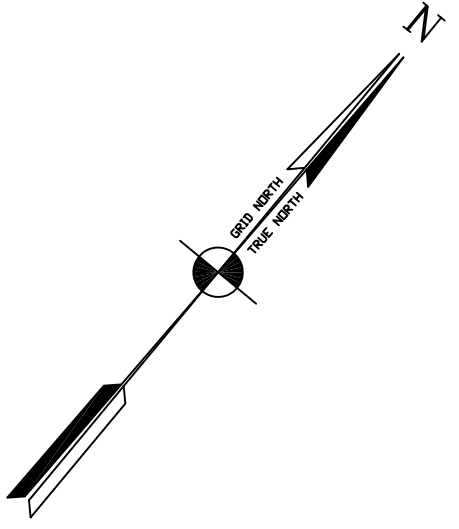
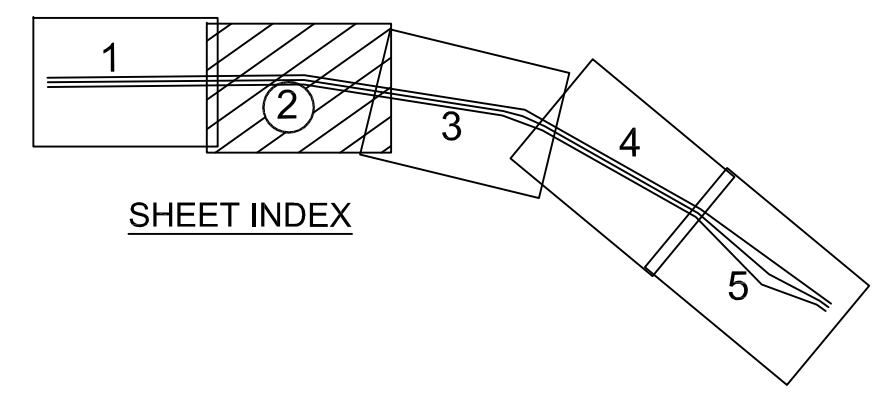


PRELIMINARY ISSUE
THIS PLAN ISSUED FOR
ADVANCE INFORMATION ONLY



LEGEND:

Black line	-37'
Green line	-36'
Blue line	-35'
Cyan line	-34'
Red line	-33'



NOTES:

DRAWINGS NOT TO BE USED AS NAVIGATION. ONLY CHANNEL CONDITION AT DATE OF SURVEY. THE LOCATION OF ALL NAVIGATION AIDS ARE BASED ON INFORMATION PROVIDED BY THE U.S. COAST GUARD BUOY LOCATION REPRESENT THE POSITION OF THE SINKER ONLY.

SURVEYED BY THE CORPS OF ENGINEERS.

SOUNDINGS WERE TAKEN BY FATHOMETER AND ARE SHOWN TO THE NEAREST TENTH OF A FOOT.

SOUNDINGS ARE BASED ON THE DATUM OF MEAN LOWER LOW WATER AT THE LOCALITY. NAVD 88.

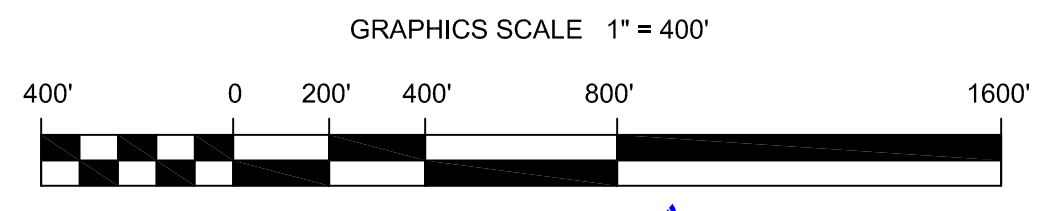
PLANE GRID AND COORDINATES ARE BASED ON THE STATE OF CALIFORNIA COORDINATE SYSTEM, LAMBERT CONFORMAL PROJECTION, ZONE III NAD 83, CALIFORNIA, AS DESCRIBED IN SPECIAL PUBLICATION NO. 235, PUBLISHED BY THE NATIONAL OCEAN SURVEY.

THE PROJECT DEPTH IS 35 FEET AT M.L.L.W.

VERTICAL CONTROL
BENCHMARK "5056 C" (1976) USC&GS DISK, ELEV. 34.75 MLLW, NAVD 88 DATUM
TIDE GAUGE LOCATED AT POINT PINOLE PIER.

BENCHMARK "5218 L" (1976) USC&GS DISK, ELEV. 11.00 MLLW, NAVD 88 DATUM
TIDE GAUGE LOCATED AT MARE ISLAND PIER 35.

HORIZONTAL GPS CONTROL
COAST GUARD D-BEACON



Mark	Description	Date	Appr.

SUBMITTED:	PC	DESIGNED BY:	LAURENCE M. FARRELL
	Hydro Survey Team Leader	DATE:	10/25/2009
APPROVAL RECOMMENDED:		CHECKED BY:	TVW
Chief, Technical Support Section		DATE:	10/25/2009
APPROVED:		DRAWING NO.	3
Chief, Construction Branch		SHEET NO.	2 OF 5
		PREPARED UNDER THE DIRECTION OF	LAURENCE M. FARRELL
			LT. COLONEL, C.E., DISTRICT ENGINEER

SAN PABLO BAY
CALIFORNIA
PINOLE SHOALS
PREDREDGE SURVEY
4-5, 8 & 14 OCTOBER 2009

Sheet reference number
C2