

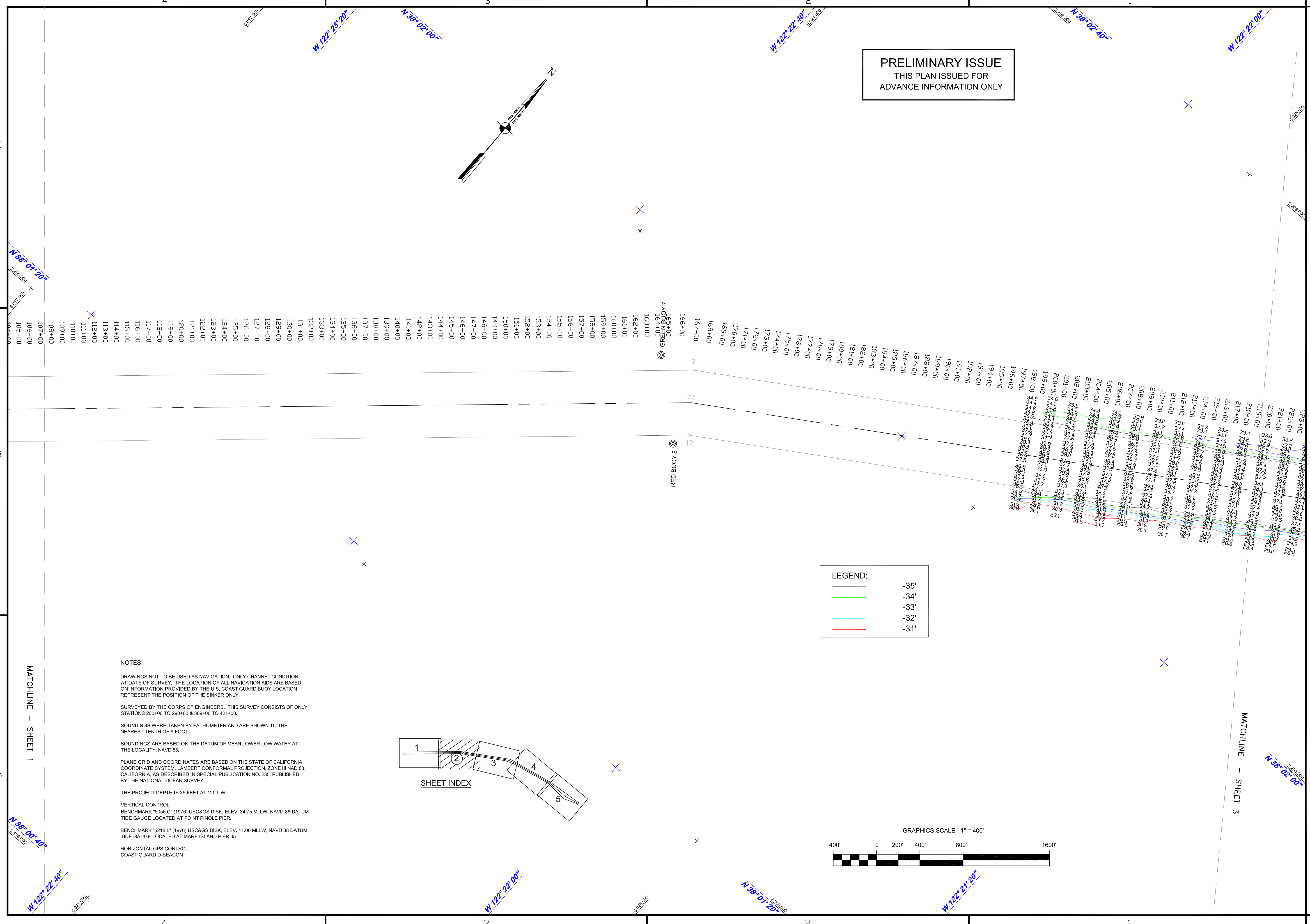
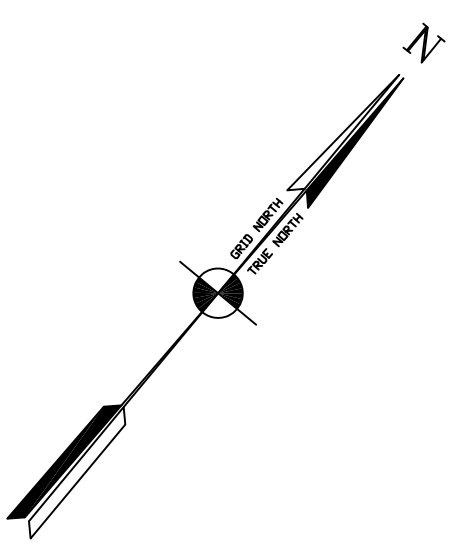
Mark	Description	Date	Appr.

DESIGNED BY:	LAURENCE M. FARRELL LT. COLONEL, C.E., DISTRICT ENGINEER
CHECKED BY:	PDT
DRAWN BY:	PDT
DATE:	01/14/2010
SHEET NO.:	2 OF 5
DRAWING NO.:	3
APPROVAL RECOMMENDED:	xxx
APPROVED:	

CALIFORNIA
SAN PABLO BAY
PINOLE SHOALS
POSTDRUDGE SURVEY
5, 7 & 13 JANUARY 2010

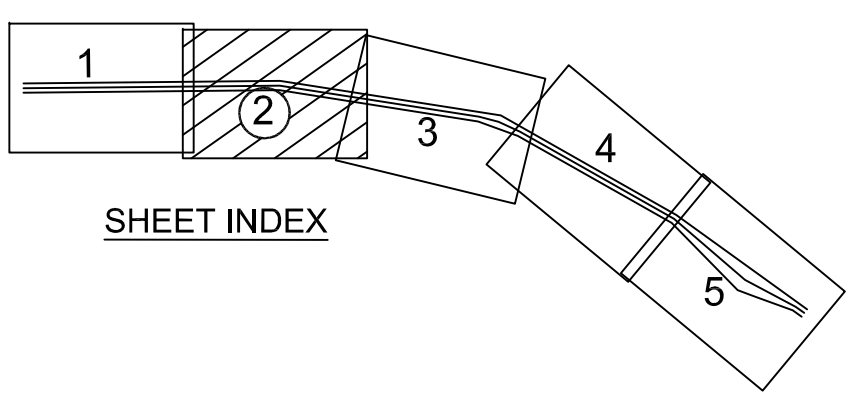
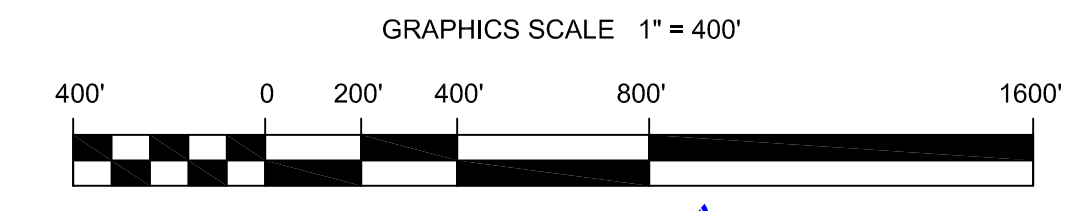
Sheet reference number
C2

PRELIMINARY ISSUE
THIS PLAN ISSUED FOR
ADVANCE INFORMATION ONLY



LEGEND:

—	-35'
—	-34'
—	-33'
—	-32'
—	-31'



NOTES:

DRAWINGS NOT TO BE USED AS NAVIGATION. ONLY CHANNEL CONDITION AT DATE OF SURVEY. THE LOCATION OF ALL NAVIGATION AIDS ARE BASED ON INFORMATION PROVIDED BY THE U.S. COAST GUARD BUOY LOCATION REPRESENT THE POSITION OF THE SINKER ONLY.

SURVEYED BY THE CORPS OF ENGINEERS. THIS SURVEY CONSISTS OF ONLY STATIONS 200+00 TO 290+00 & 309+00 TO 421+00.

SOUNDINGS WERE TAKEN BY FATHOMETER AND ARE SHOWN TO THE NEAREST TENTH OF A FOOT.

SOUNDINGS ARE BASED ON THE DATUM OF MEAN LOWER LOW WATER AT THE LOCALITY, NAVD 88.

PLANE GRID AND COORDINATES ARE BASED ON THE STATE OF CALIFORNIA COORDINATE SYSTEM, LAMBERT CONFORMAL PROJECTION, ZONE III NAD 83, CALIFORNIA, AS DESCRIBED IN SPECIAL PUBLICATION NO. 235, PUBLISHED BY THE NATIONAL OCEAN SURVEY.

THE PROJECT DEPTH IS 35 FEET AT M.L.L.W.

VERTICAL CONTROL
BENCHMARK "5056 C" (1976) USC&GS DISK, ELEV. 34.75 MLLW, NAVD 88 DATUM TIDE GAUGE LOCATED AT POINT PINOLE PIER.

BENCHMARK "5218 L" (1976) USC&GS DISK, ELEV. 11.00 MLLW, NAVD 88 DATUM TIDE GAUGE LOCATED AT MARE ISLAND PIER 35.

HORIZONTAL GPS CONTROL
COAST GUARD D-BEACON

MATCHLINE - SHEET 1

MATCHLINE - SHEET 3