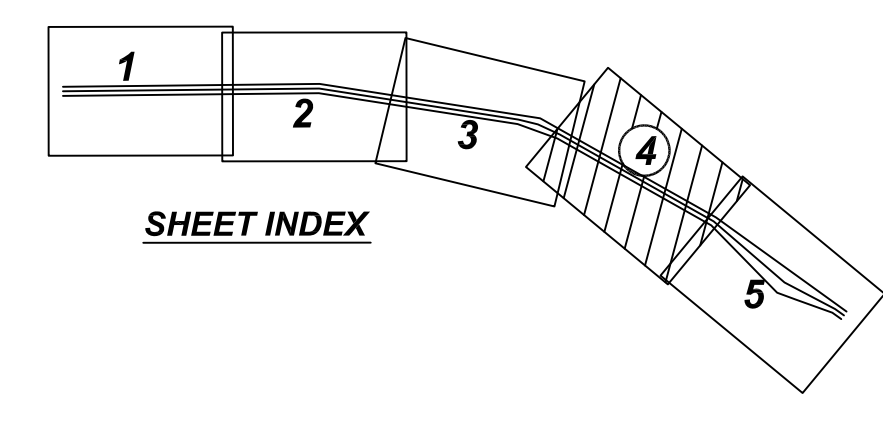
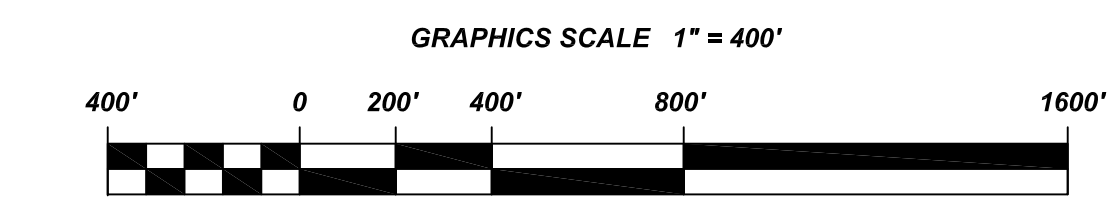
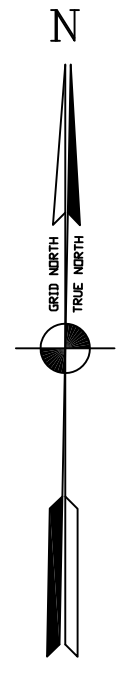


PRELIMINARY ISSUE
 THIS PLAN ISSUED FOR
 ADVANCE INFORMATION ONLY



US Army Corps
 of Engineers
 San Francisco District
 1455 Market Street
 San Francisco, CA 94103

Mark	Description	Date	Appr.

SUBMITTED:	DESIGNED BY:	CHECKED BY:	DRAWN BY:
PDT Hydro Survey Team Leader	PDT SHEET NO. 3 OF 5	PDT DATE: 08/25/2011	PDT DRAWING NO. 3 2 XXX
APPROVAL RECOMMENDED:	PREPARED UNDER THE DIRECTION OF TORREY A. DICIRO		
APPROVED:	LT. COLONEL, C.E., DISTRICT ENGINEER		
Chief, Construction Branch			

CALIFORNIA
 SAN PABLO BAY
 PINOLE SHOALS
 POSTREDGE SURVEY
 17-18, 22-24 AUGUST 2011

Sheet reference
 number
C4

MATCHLINE - SHEET 5

MATCHLINE - SHEET 3