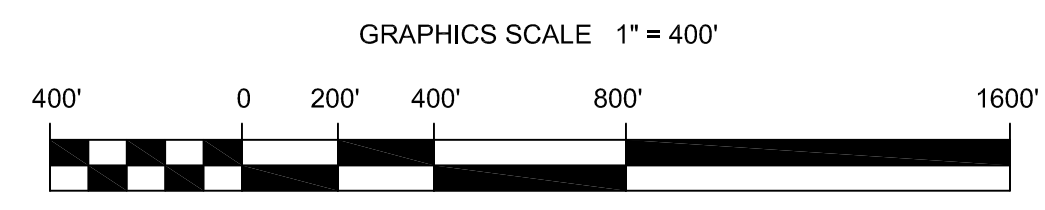
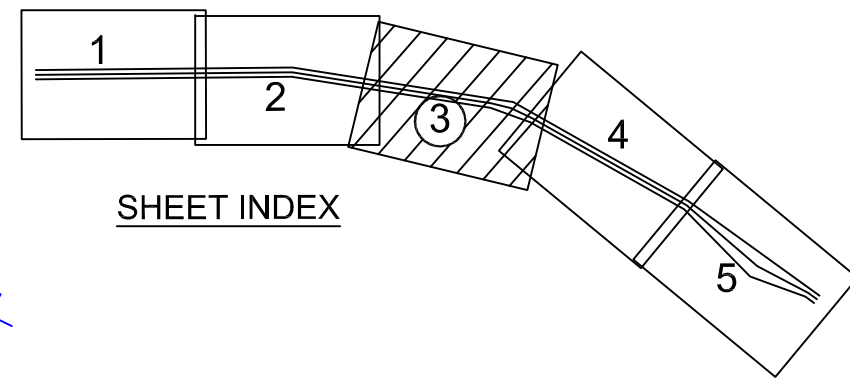
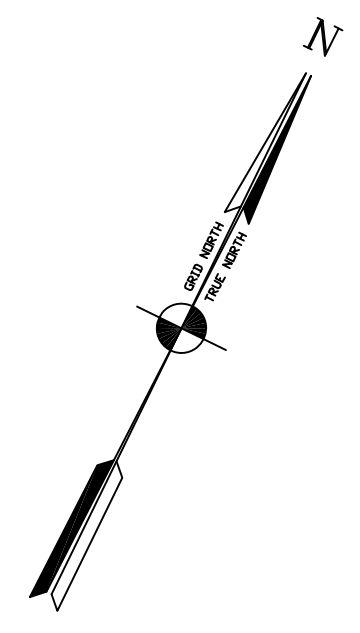
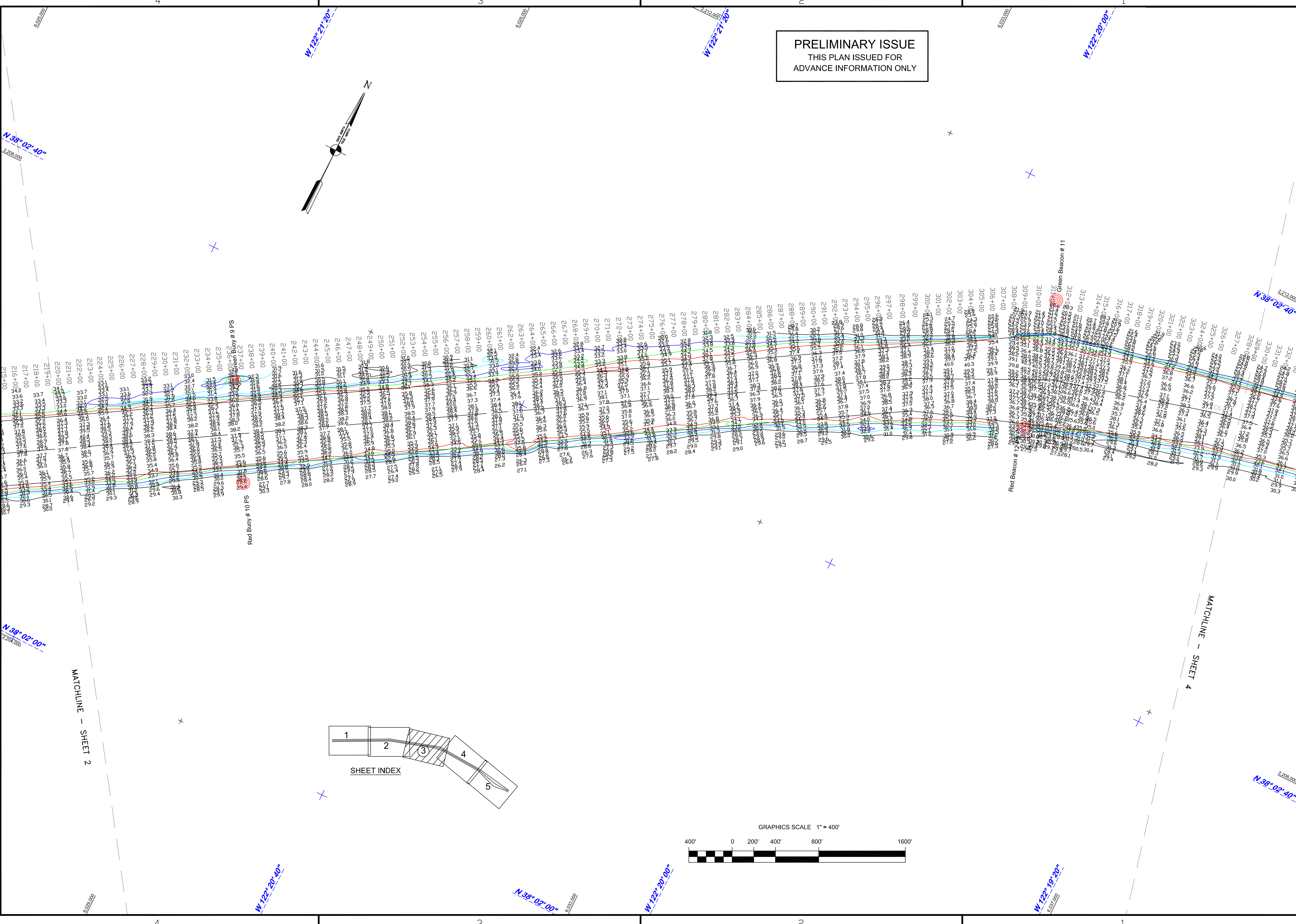


PRELIMINARY ISSUE  
THIS PLAN ISSUED FOR  
ADVANCE INFORMATION ONLY



US Army Corps  
of Engineers  
San Francisco District  
1455 Market Street  
San Francisco, CA 94103

Mark	Description	Date	Appr.

DESIGNED BY:	LAURENCE M. FARRELL	CHECKED BY:	PC
DATE:	07/8/2009	TITLE:	Hydro Survey Team Leader
PREPARED UNDER THE DIRECTION OF:	LAURENCE M. FARRELL	APPROVAL RECOMMENDED:	

SAN PABLO BAY  
CALIFORNIA  
PINOLE SHOALS  
POSTREDGE SURVEY  
6-7 JULY 2009

Sheet reference  
number  
C3