

PRELIMINARY ISSUE  
THIS PLAN ISSUED FOR  
ADVANCE INFORMATION ONLY

Mark	Description	Date	Appr.

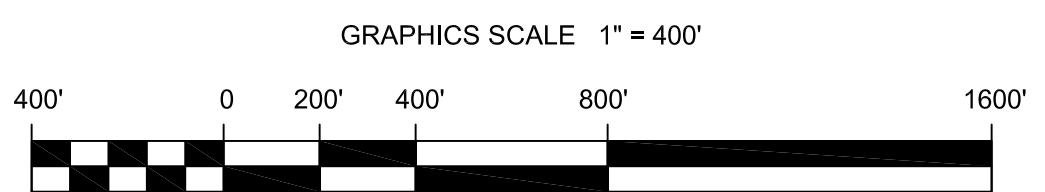
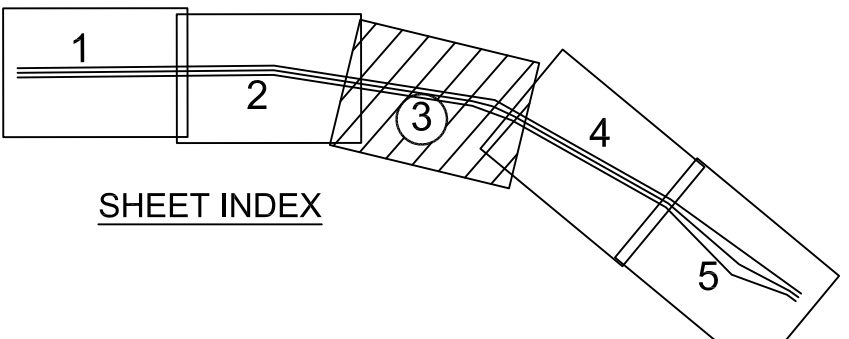
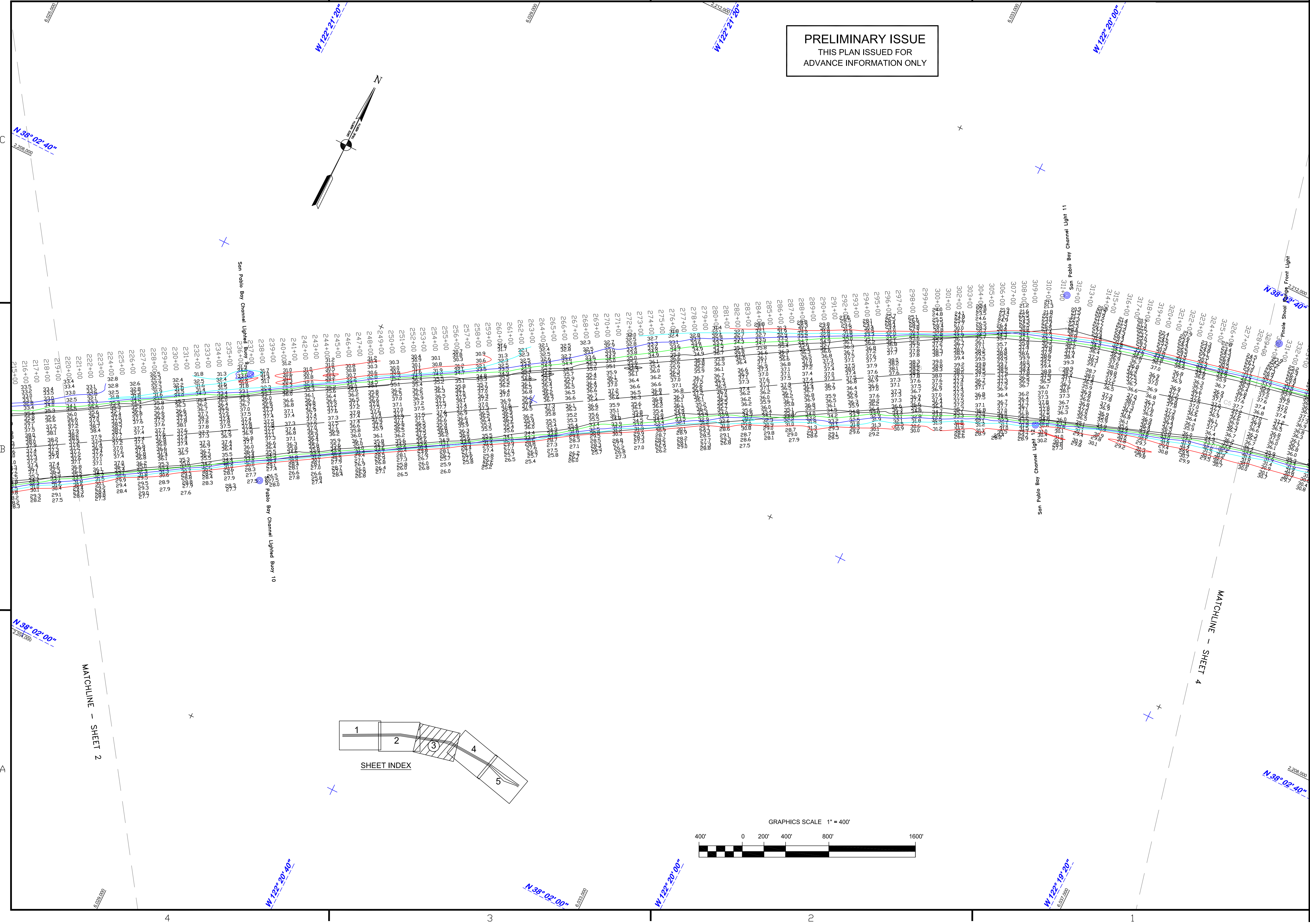
DESIGNED BY: PDI  
 CHECKED BY: PDI  
 DATE: 03/24/2011  
 SHEET NO. 3 OF 5  
 DRAWING NO. XXX 2  
 PREPARED UNDER THE DIRECTION OF  
 TORREY A. DICIRO  
 LT. COLONEL, C.E., DISTRICT ENGINEER

APPROVAL:

INVO: Survey Team Leader  
 APPROVAL RECOMMENDED:  
 Chief, Geomatics Section  
 APPROVED:  
 Chief, Construction Branch

CALIFORNIA  
 SAN PABLO BAY  
 PINOLE SHOALS  
 CONDITION SURVEY  
 17-23 MARCH 2011

Sheet reference number  
 C3



MATCHLINE - SHEET 2

MATCHLINE - SHEET 4

San Pablo Bay Channel Lighted Buoy 10

San Pablo Bay Channel Lighted Buoy 11