

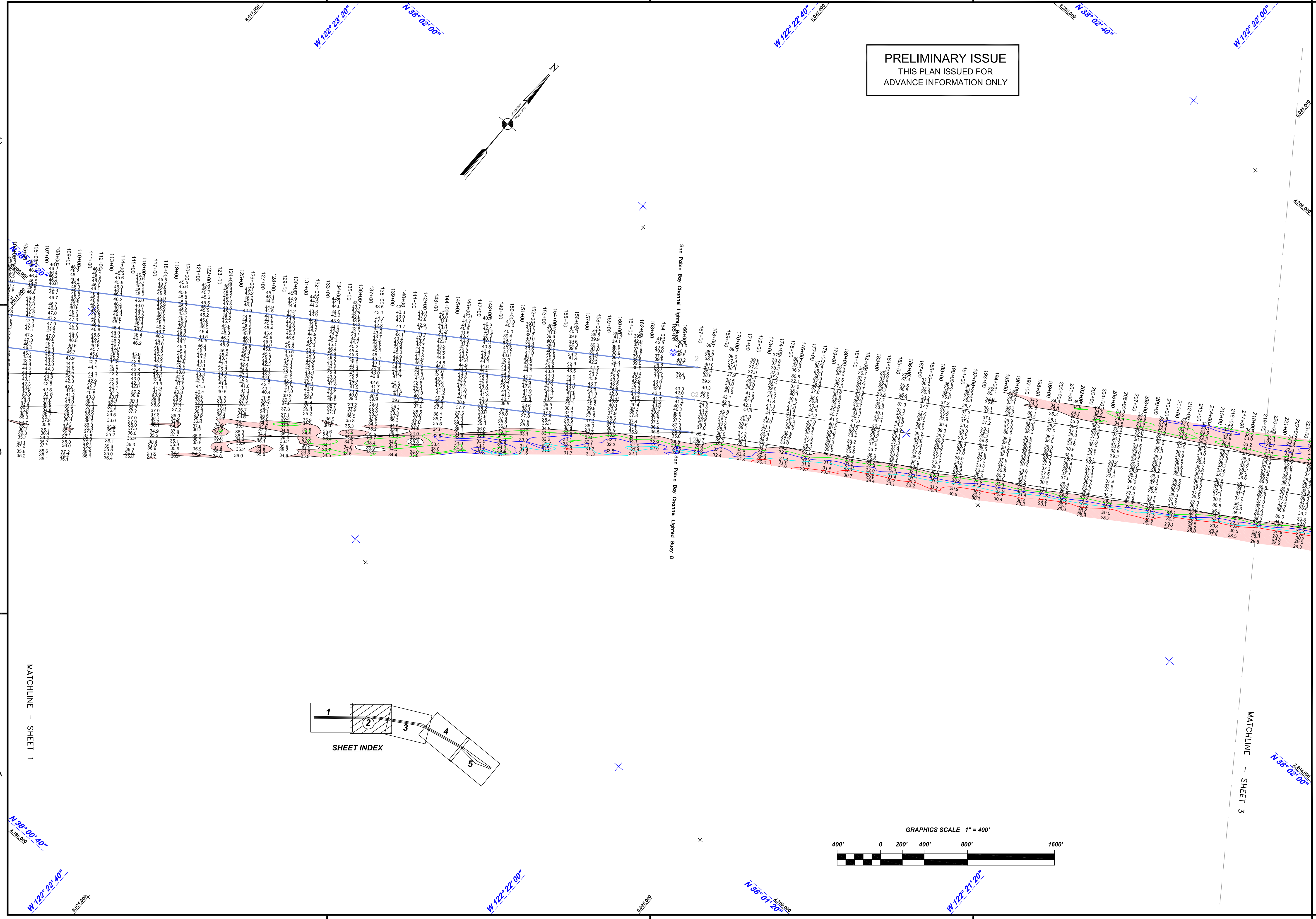
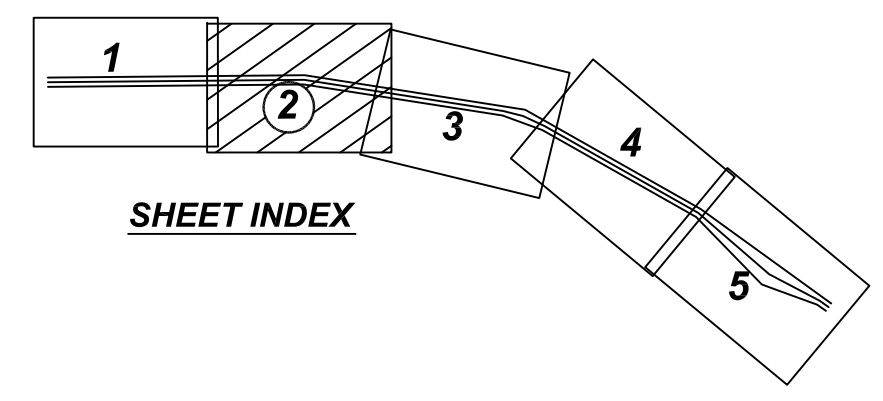
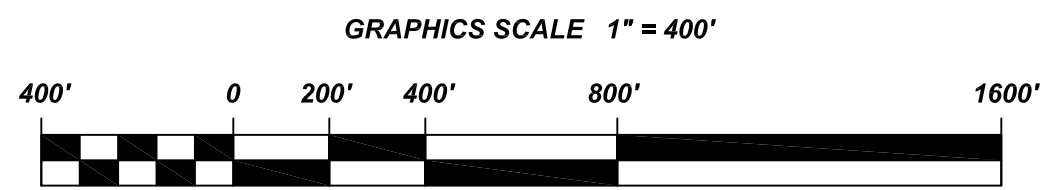
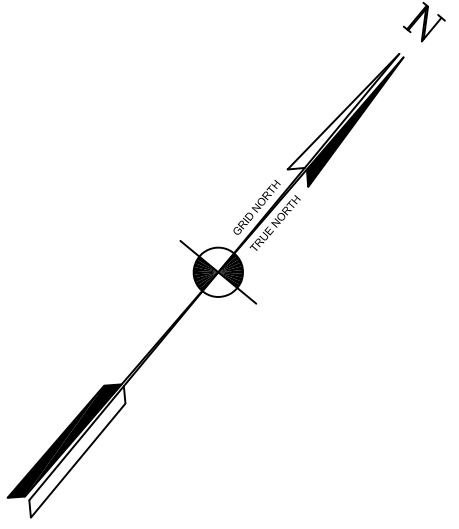
Mark	Description	Date	Appr.

DESIGNED BY:	JOHN K. BAKER LT. COLONEL, C.E., DISTRICT ENGINEER
CHECKED BY:	
DRAWN BY:	
DATE:	09/26/2012
SHEET NO.	2 OF 5
DRAWING NO.	XXX 2
PDT	
APPROVAL RECOMMENDED:	
APPROVED:	

CALIFORNIA
 SAN PABLO BAY
 PINOLE SHOALS
 POSTDREDGE SURVEY
 12-18 SEPTEMBER 2012

Sheet reference number
C2

PRELIMINARY ISSUE
 THIS PLAN ISSUED FOR
 ADVANCE INFORMATION ONLY



MATCHLINE - SHEET 1

MATCHLINE - SHEET 3