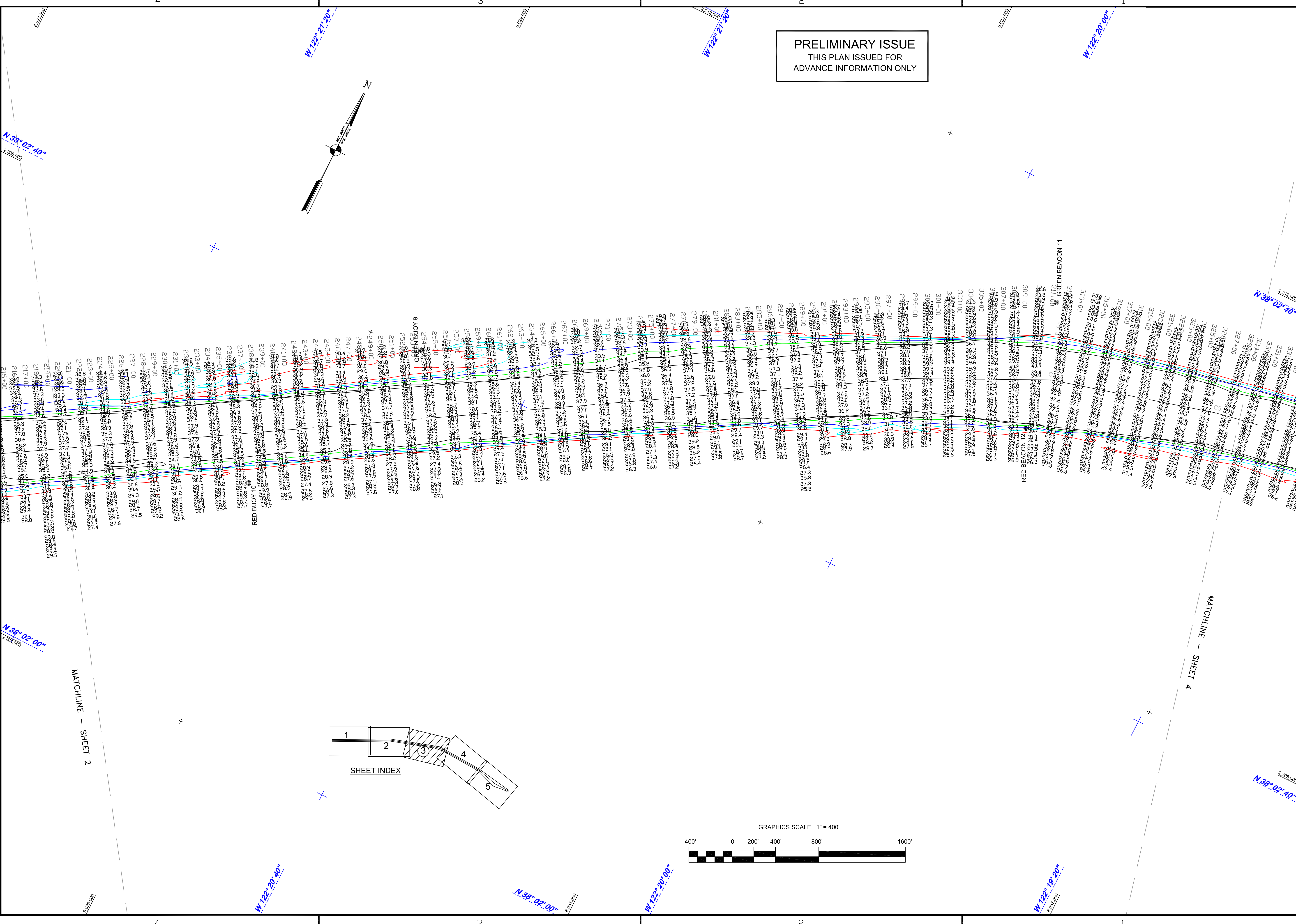
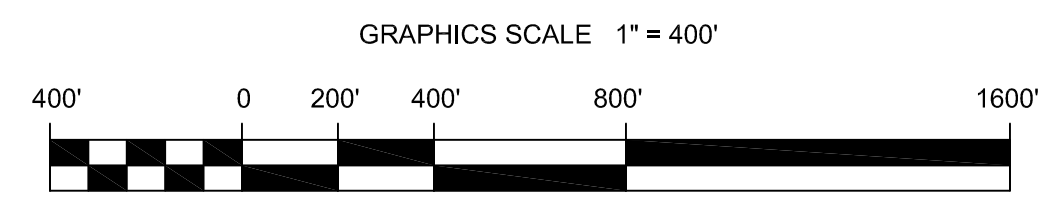
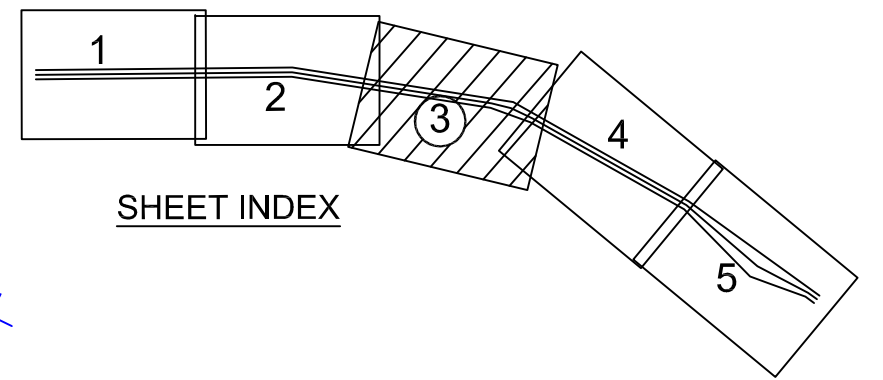
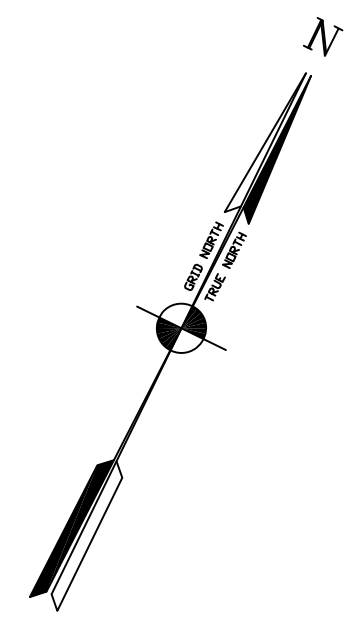


PRELIMINARY ISSUE  
THIS PLAN ISSUED FOR  
ADVANCE INFORMATION ONLY



US Army Corps  
of Engineers  
San Francisco District  
1455 Market Street  
San Francisco, CA 94103

Mark	Description	Date	Appr.

DESIGNED BY:	MC	CHECKED BY:	TVW	EWC
Hydra Survey Team Leader				
APPROVAL RECOMMENDED:		DATE:	11/24/2008	SHEET NO. 3 OF 5
CHIEF, Technical Support Section				2226
APPROVED:				
CHIEF, Construction Branch				
				PREPARED UNDER THE DIRECTION OF LAURENCE M. FARRELL LT. COLONEL, C.E., DISTRICT ENGINEER

CALIFORNIA  
SAN PABLO BAY  
PINOLE SHOALS  
PREDRIDGE SURVEY  
7-13 NOVEMBER 2008

Sheet reference  
number  
C3