

Mark	Description	Date	Appr.

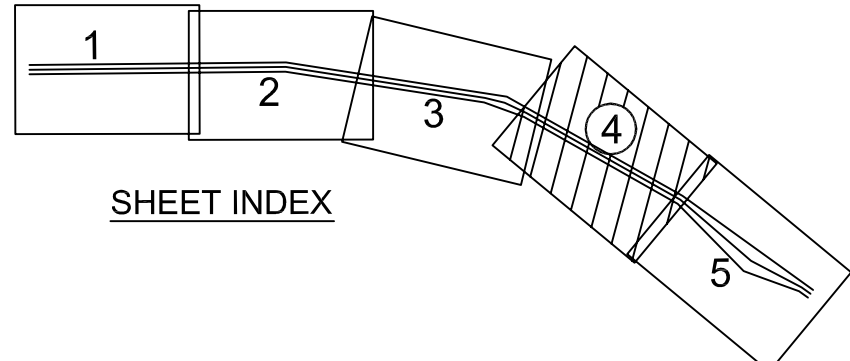
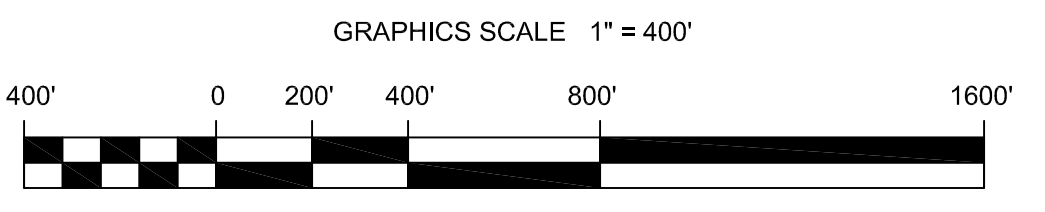
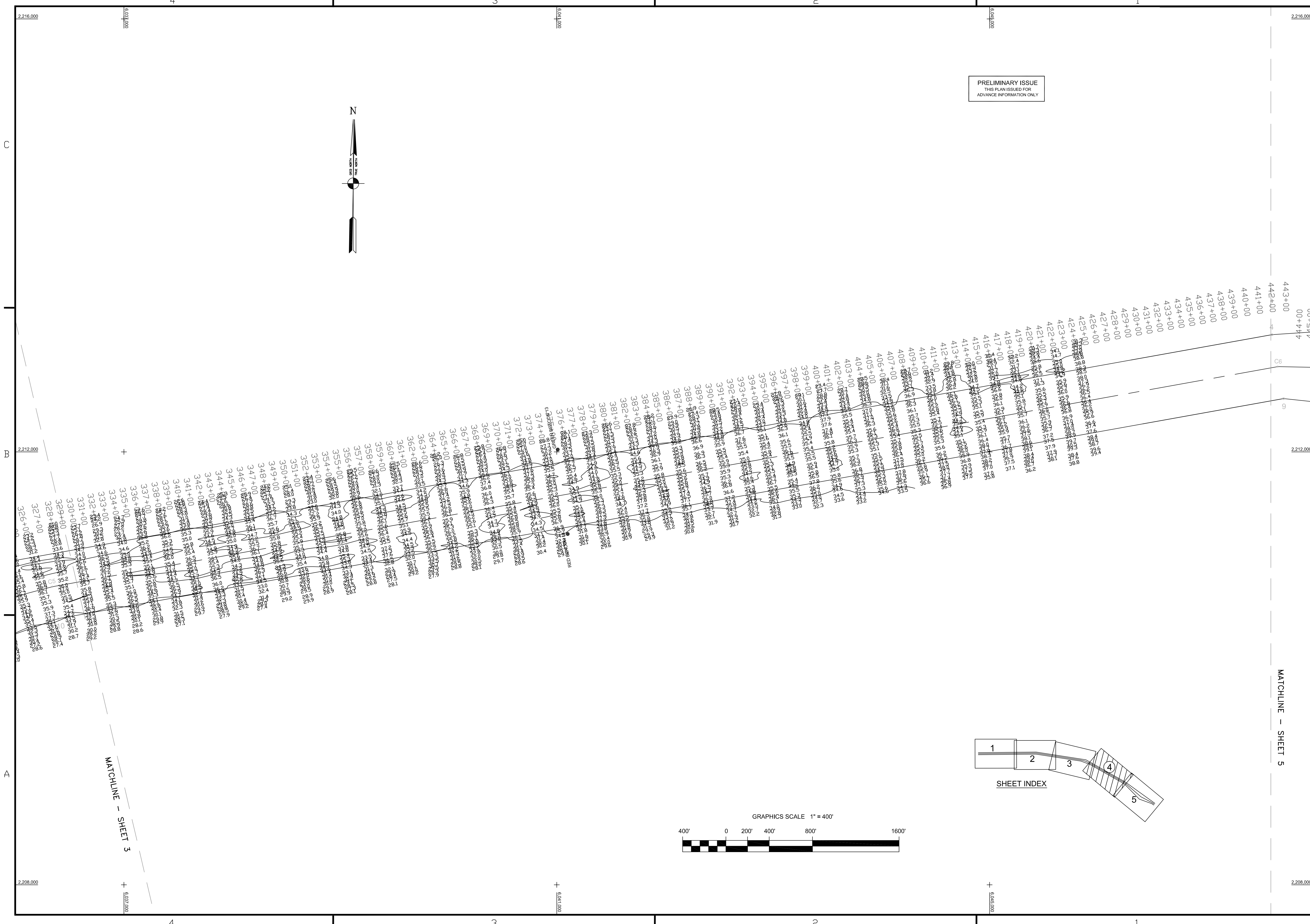
Mark	Description	Date	Appr.

DESIGNED BY:	CRAIG W. KILEY LT. COLONEL, C.E., DISTRICT ENGINEER
CHECKED BY:	TVW EC
DRAWN BY:	1216 2
DATE:	06/22/2007
SHEET NO.	3 OF 5
PREPARED UNDER THE DIRECTION OF	CRAIG W. KILEY
APPROVAL RECOMMENDED:	Chief, Technical Support Section
APPROVED:	Chief, Construction Branch

CALIFORNIA
SAN PABLO BAY
PINOLE SHOALS
PREDRIDGE SURVEY
20, 22 & 23 MAY 2007

Sheet reference number
C4

PRELIMINARY ISSUE
THIS PLAN ISSUED FOR
ADVANCE INFORMATION ONLY



MATCHLINE - SHEET 3

MATCHLINE - SHEET 5

2,216,000
2,212,000
2,208,000

2,216,000
2,212,000
2,208,000

0.034,000
0.034,000
0.034,000
0.034,000

0.044,000
0.044,000
0.044,000
0.044,000

0.045,000
0.045,000
0.045,000
0.045,000

4

3

2

1

4

3

2

1

C

B

A

