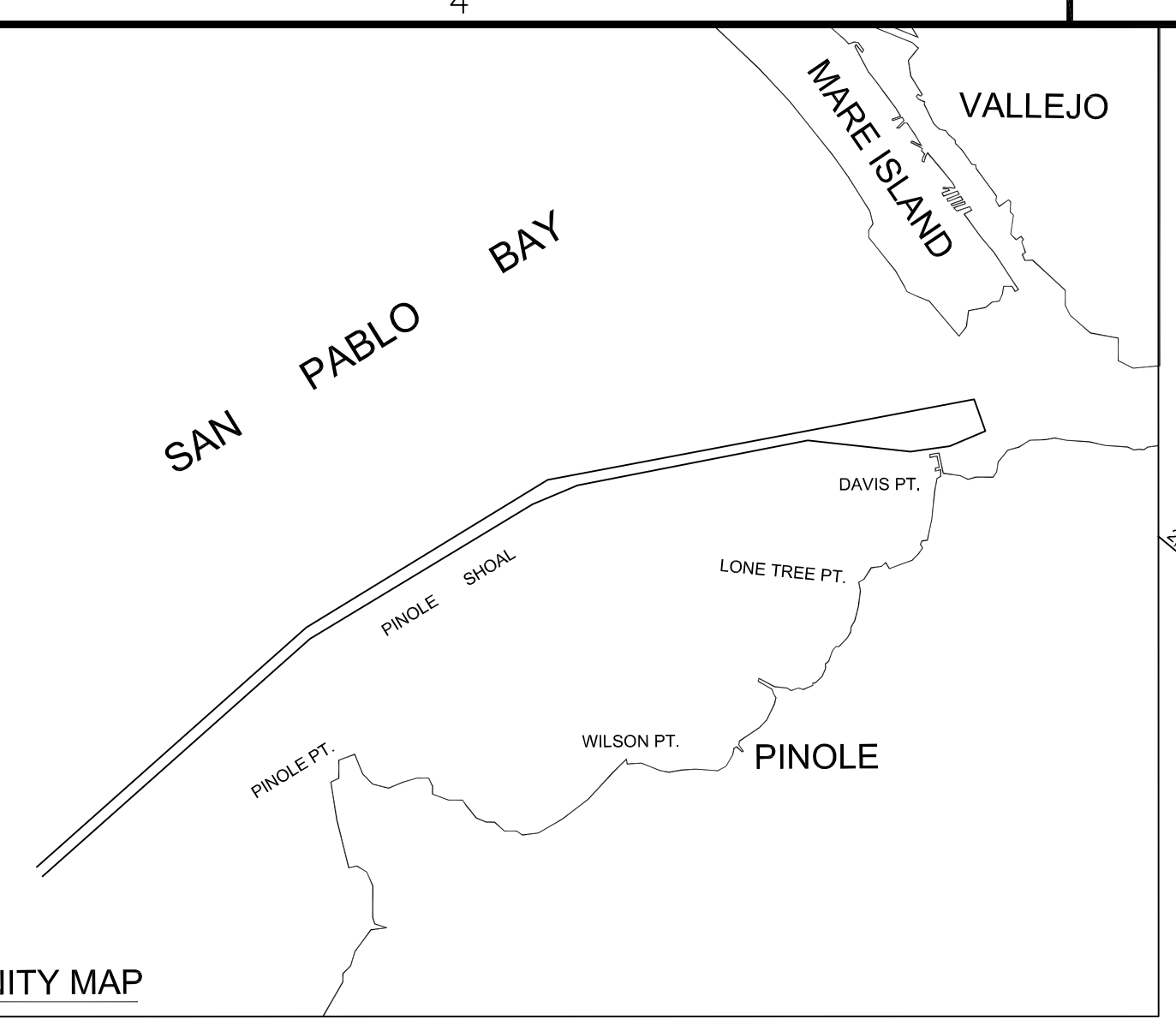


VICINITY MAP



PRELIMINARY ISSUE  
THIS PLAN ISSUED FOR  
ADVANCE INFORMATION ONLY

13  
C1  
1  
0+00  
1+00  
2+00  
3+00  
4+00  
5+00  
6+00  
7+00  
8+00  
9+00  
10+00  
11+00  
12+00  
13+00  
14+00  
15+00  
16+00  
17+00  
18+00  
19+00  
20+00  
21+00  
22+00  
23+00  
24+00  
25+00  
26+00  
27+00  
28+00  
29+00  
30+00  
31+00  
32+00  
33+00  
34+00  
35+00  
36+00  
37+00  
38+00  
39+00  
40+00  
41+00  
42+00  
43+00  
44+00  
45+00  
46+00  
47+00  
48+00  
49+00  
50+00  
51+00  
52+00  
53+00  
54+00  
55+00  
56+00  
57+00  
58+00  
59+00  
60+00  
61+00  
62+00  
63+00  
64+00  
65+00  
66+00  
67+00  
68+00  
69+00  
70+00  
71+00  
72+00  
73+00  
74+00  
75+00  
76+00  
77+00  
78+00  
79+00  
80+00  
81+00  
82+00  
83+00  
84+00  
85+00  
86+00  
87+00  
88+00  
89+00  
90+00  
91+00  
92+00  
93+00  
94+00  
95+00  
96+00  
97+00  
98+00  
99+00  
100+00  
101+00  
102+00  
103+00  
104+00  
105+00  
106+00  
107+00  
108+00  
109+00  
110+00

US Army Corps of Engineers  
San Francisco District  
333 Market Street  
San Francisco, CA 94105

Mark	Description	Date	Appr.

SUBMITTED: Hydro Survey Team Leader APPROVAL RECOMMENDED: Chief, Technical Support Section APPROVED: Chief, Construction Branch	DESIGNED BY:	CHECKED BY:	DRAWN BY:	EC
	DATE:	SHEET NO.	TVW	
06/22/2007		1 OF 5	3	216
PREPARED UNDER THE DIRECTION OF CRAIG W. KILEY LT. COLONEL, C.E., DISTRICT ENGINEER				

CALIFORNIA  
SAN PABLO BAY  
PINOLE SHOALS  
PREDECESSOR SURVEY  
20, 22 & 23 MAY 2007

Sheet reference number  
C1

**NOTES:**

DRAWINGS NOT TO BE USED AS NAVIGATION. ONLY CHANNEL CONDITION AT DATE OF SURVEY. THE LOCATION OF ALL NAVIGATION AIDS ARE BASED ON INFORMATION PROVIDED BY THE U.S. COAST GUARD BUOY LOCATION REPRESENT THE POSITION OF THE SINKER ONLY.

SURVEYED BY THE CORPS OF ENGINEERS.

SOUNDINGS WERE TAKEN BY FATHOMETER AND ARE SHOWN TO THE NEAREST TENTH OF A FOOT.

SOUNDINGS ARE BASED ON THE DATUM OF MEAN LOWER LOW WATER AT THE LOCALITY, NAVD 88.

PLANE GRID AND COORDINATES ARE BASED ON THE STATE OF CALIFORNIA COORDINATE SYSTEM, LAMBERT CONFORMAL PROJECTION, ZONE III NAD 83, CALIFORNIA, AS DESCRIBED IN SPECIAL PUBLICATION NO. 235, PUBLISHED BY THE NATIONAL OCEAN SURVEY.

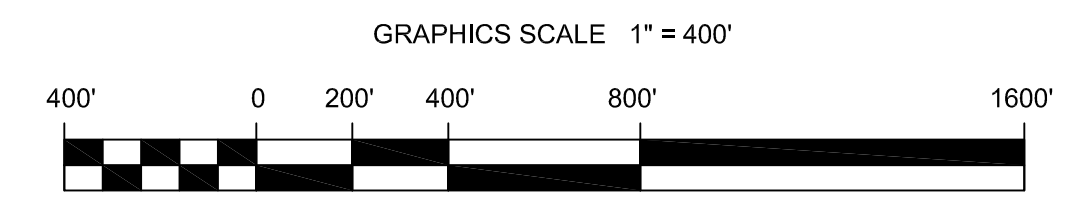
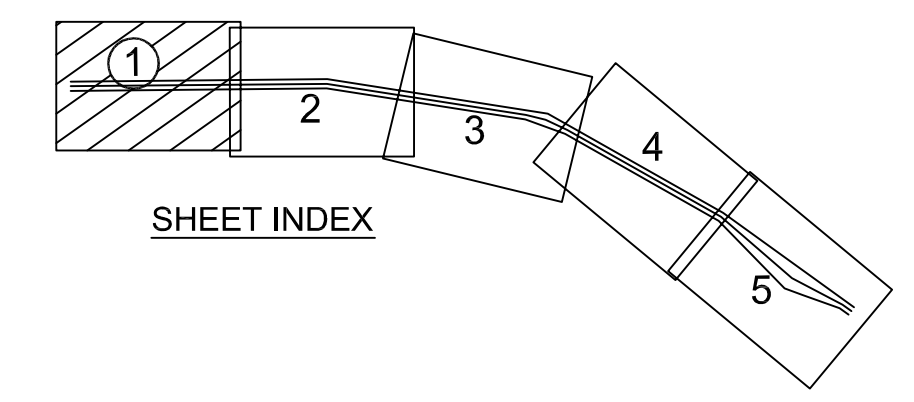
THE PROJECT DEPTH IS 35 FEET AT M.L.L.W.

**VERTICAL CONTROL**  
BENCHMARK "5056 C" (1976) USC&GS DISK, ELEV. 34.75 MLLW, NAVD 88 DATUM  
TIDE GAUGE LOCATED AT POINT PINOLE PIER.

BENCHMARK "5218 L" (1976) USC&GS DISK, ELEV. 11.00 MLLW, NAVD 88 DATUM  
TIDE GAUGE LOCATED AT MARE ISLAND PIER 35.

**HORIZONTAL GPS CONTROL**  
COAST GUARD D-BEACON

NAD 83 CHANNEL ANGLE POINTS			NAD 83 CENTERLINE ANGLE POINTS		
∠ PT	X	Y	∠ PT	X	Y
1	6009438.19	2192533.46	C1	6009631.93	2192304.35
2	6022201.68	2203328.13	C2	6022378.63	2203001.13
3	6034692.58	2210763.40	C3	6033649.18	2209793.00
4	6047610.63	2213082.81	C4	6034836.66	2210359.38
5	6058087.95	2213781.27	C5	6036340.65	2210754.51
6	6058127.86	2213182.59	C6	6047663.65	2212787.53
7	6057419.43	2213135.37	C7	6053760.51	2212668.82
8	6053815.20	2211848.50	C8	6057399.48	2213434.70
9	6047716.66	2212492.26	C9	6058107.91	2213481.93
10	6036393.66	2210459.23			
11	6033802.66	2209535.23			
12	6022551.66	2202836.23			
13	6009825.66	2192075.23			



MATCHLINE - SHEET 2