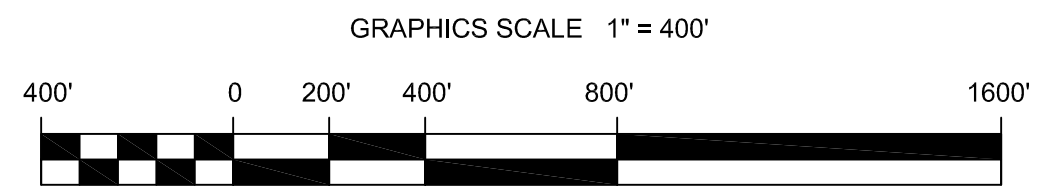
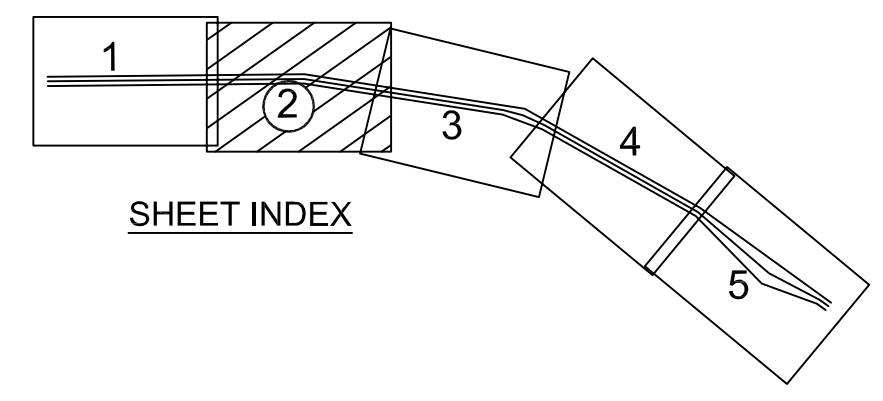


PRELIMINARY ISSUE
THIS PLAN ISSUED FOR
ADVANCE INFORMATION ONLY



US Army Corps
of Engineers
San Francisco District
333 Market Street
San Francisco, CA 94105

Mark	Description	Date	Appr.

DESIGNED BY:	CHECKED BY:	DRAWN BY:	EC
DATE:	TW	TVW	
07/31/2007	2	3	21B
SHEET NO. DRAWING NO.			
PREPARED UNDER THE DIRECTION OF			
CRAIG W. KILEY			
LT. COLONEL, C.E., DISTRICT ENGINEER			
SUBMITTED:			
Hydro Survey Team Leader			
APPROVAL RECOMMENDED:			
Chief, Technical Support Section			
APPROVED:			
Chief, Construction Branch			

CALIFORNIA
SAN PABLO BAY
PINOLE SHOALS
POSTDREDGE SURVEY
17-19 JULY 2007

Sheet reference
number
C2