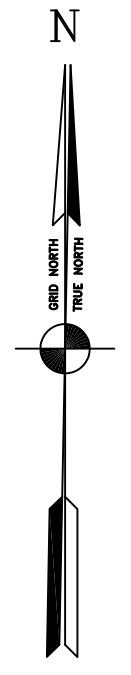


PRELIMINARY ISSUE
THIS PLAN ISSUED FOR
ADVANCE INFORMATION ONLY



NOTES:

DRAWINGS NOT TO BE USED AS NAVIGATION. ONLY CHANNEL CONDITION AT DATE OF SURVEY. THE LOCATION OF ALL NAVIGATION AIDS ARE BASED ON INFORMATION PROVIDED BY THE U.S. COAST GUARD BUOY LOCATION REPRESENT THE POSITION OF THE SINKER ONLY.

SURVEYED BY THE CORPS OF ENGINEERS.

SOUNDINGS WERE TAKEN BY FATHOMETER AND ARE SHOWN TO THE NEAREST TENTH OF A FOOT.

SOUNDINGS ARE BASED ON THE DATUM OF MEAN LOWER LOW WATER AT THE LOCALITY.

PLANE GRID AND COORDINATES ARE BASED ON THE STATE OF CALIFORNIA COORDINATE SYSTEM, LAMBERT CONFORMAL PROJECTION, ZONE III NAD 83, CALIFORNIA, AS DESCRIBED IN SPECIAL PUBLICATION NO. 235, PUBLISHED BY THE NATIONAL OCEAN SURVEY.

THE PROJECT DEPTH IS 35 FEET AT M.L.L.W.

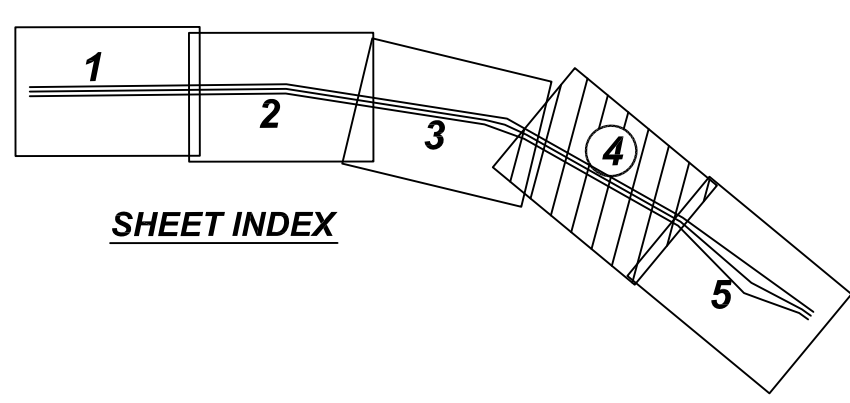
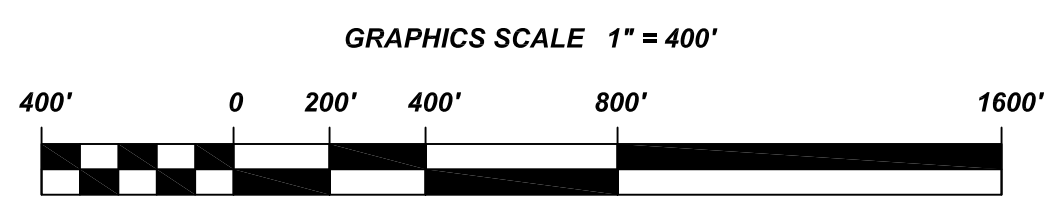
VERTICAL CONTROL
BENCHMARK "5056 C" (1976) USC&GS DISK, ELEV. 34.75 MLLW, NAVD 88 DATUM TIDE GAUGE LOCATED AT POINT PINOLE PIER.

BENCHMARK "5218 L" (1976) USC&GS DISK, ELEV. 11.00 MLLW, NAVD 88 DATUM TIDE GAUGE LOCATED AT MARE ISLAND PIER 35.

HORIZONTAL GPS CONTROL
COAST GUARD D-BEACON

LEGEND:

- -35'
- -34'
- -33'
- -32'
- -31'




 US Army Corps
 of Engineers
 San Francisco District
 1455 Market Street
 San Francisco, CA 94103

Mark	Description	Date	Appr.

SUBMITTED:	PDT	DRAWN BY:	PDT
	Hydro Survey Team Leader		
APPROVAL RECOMMENDED:	SHEET NO.	CHECKED BY:	PDT
Chief, Hydro Survey Section	3 OF 5		
APPROVED:	DATE:	DESIGNED BY:	
	1/27/2016	PREPARED UNDER THE DIRECTION OF	
			JOHN C. MORROW
			LT. COLONEL, C.E., DISTRICT ENGINEER

CALIFORNIA
 SAN PABLO BAY
 PINOLE SHOALS
 CONDITION SURVEY
 12 & 26 JANUARY 2016

Sheet reference number
C4