

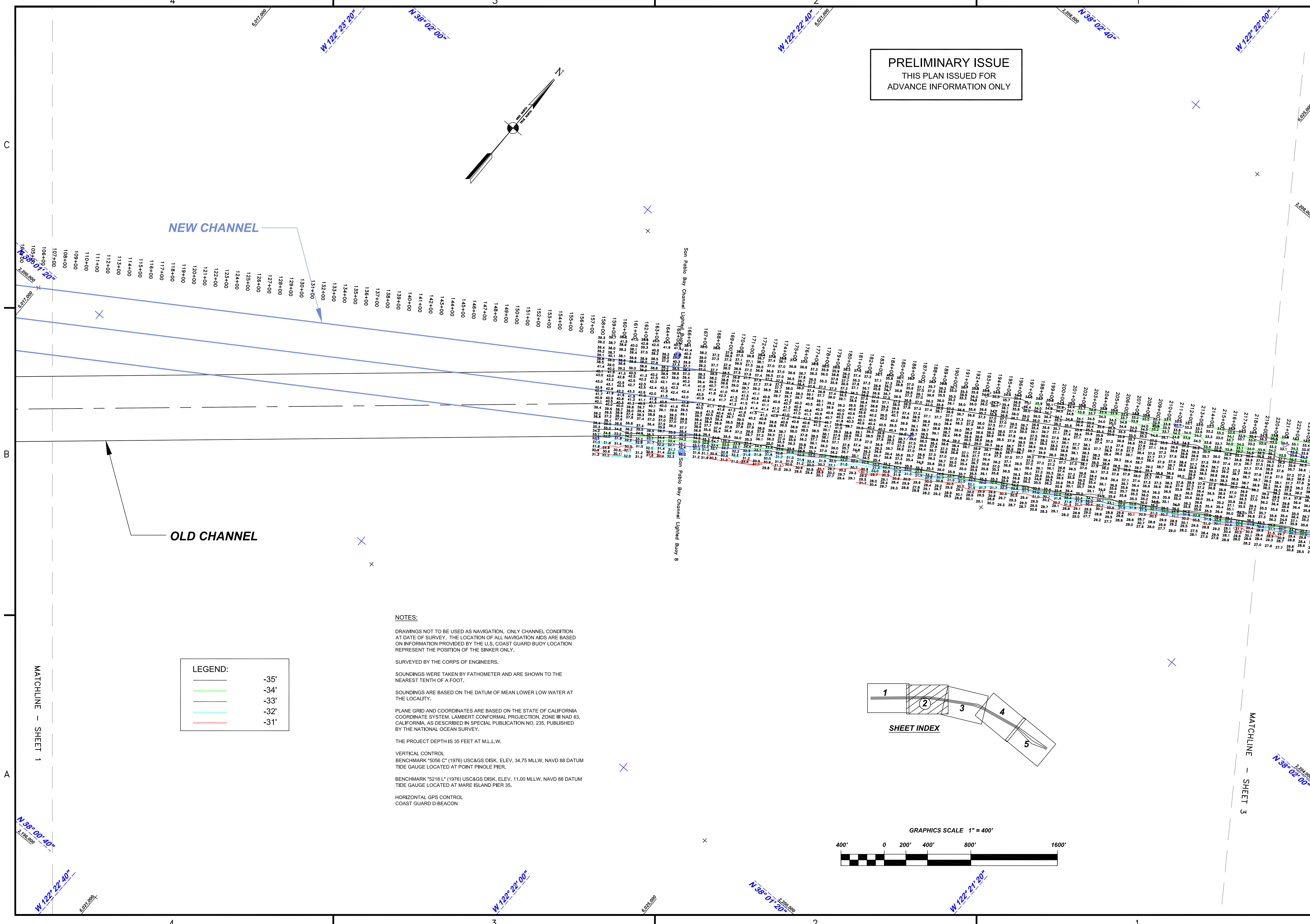
PRELIMINARY ISSUE
THIS PLAN ISSUED FOR
ADVANCE INFORMATION ONLY

Mark	Description	Date	Appr.

SUBMITTED:	PDT Hydro Survey Team Leader	APPROVAL RECOMMENDED:	DATE:	DESIGNED BY:	CHECKED BY:	DRAWN BY:	PDT
				Hydro Survey Team Leader	Hydro Survey Team Leader	Hydro Survey Team Leader	Hydro Survey Team Leader
APPROVED:	PDT Chief, Construction Branch	APPROVAL RECOMMENDED:	DATE:	DESIGNED BY:	CHECKED BY:	DRAWN BY:	PDT
				Chief, Hydro Survey Section	Chief, Construction Branch	Chief, Construction Branch	Chief, Construction Branch

CALIFORNIA
SAN PABLO BAY
PINOLE SHOALS
POSTDRIDGE SURVEY
6-9, 25 SEPTEMBER 2013

Sheet reference number
C2



NOTES:

DRAWINGS NOT TO BE USED AS NAVIGATION. ONLY CHANNEL CONDITION AT DATE OF SURVEY. THE LOCATION OF ALL NAVIGATION AIDS ARE BASED ON INFORMATION PROVIDED BY THE U.S. COAST GUARD BUOY LOCATION REPRESENT THE POSITION OF THE SINKER ONLY.

SURVEYED BY THE CORPS OF ENGINEERS.

SOUNDINGS WERE TAKEN BY FATHOMETER AND ARE SHOWN TO THE NEAREST TENTH OF A FOOT.

SOUNDINGS ARE BASED ON THE DATUM OF MEAN LOWER LOW WATER AT THE LOCALITY.

PLANE GRID AND COORDINATES ARE BASED ON THE STATE OF CALIFORNIA COORDINATE SYSTEM, LAMBERT CONFORMAL PROJECTION, ZONE III NAD 83, CALIFORNIA, AS DESCRIBED IN SPECIAL PUBLICATION NO. 235, PUBLISHED BY THE NATIONAL OCEAN SURVEY.

THE PROJECT DEPTH IS 35 FEET AT M.L.L.W.

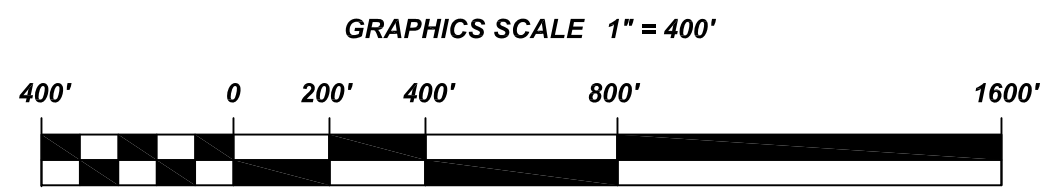
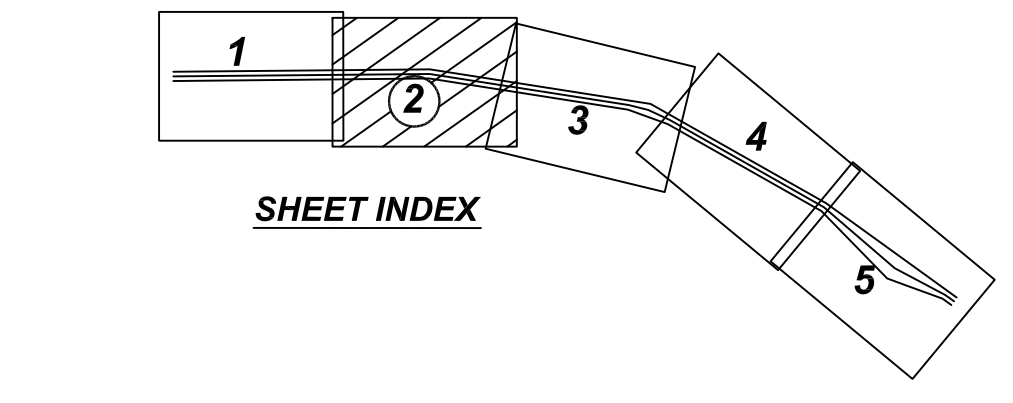
VERTICAL CONTROL
BENCHMARK "5056 C" (1976) USC&GS DISK, ELEV. 34.75 MLLW, NAVD 88 DATUM
TIDE GAUGE LOCATED AT POINT PINOLE PIER.

BENCHMARK "5218 L" (1976) USC&GS DISK, ELEV. 11.00 MLLW, NAVD 88 DATUM
TIDE GAUGE LOCATED AT MARE ISLAND PIER 35.

HORIZONTAL GPS CONTROL
COAST GUARD D-BEACON

LEGEND:

	-35'
	-34'
	-33'
	-32'
	-31'



MATCHLINE - SHEET 1

MATCHLINE - SHEET 3

N 38° 00' 40"
2,200.000

N 38° 02' 00"
2,200.000

W 122° 22' 20"
6,070.000

W 122° 21' 20"
6,070.000

C

B

A

4

3

2

1

4

3

2

1