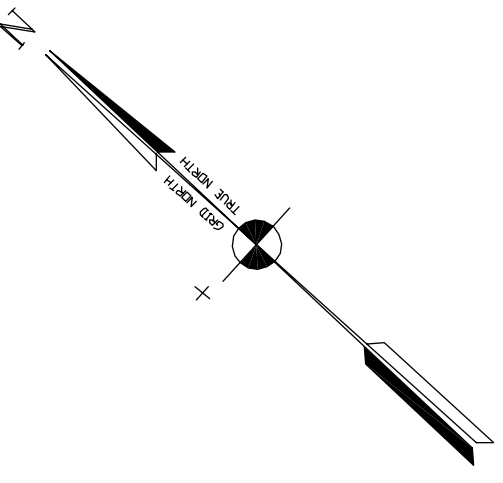
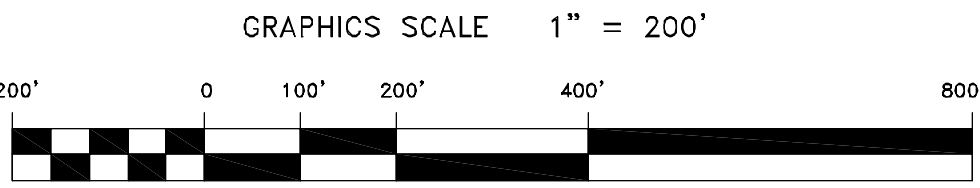
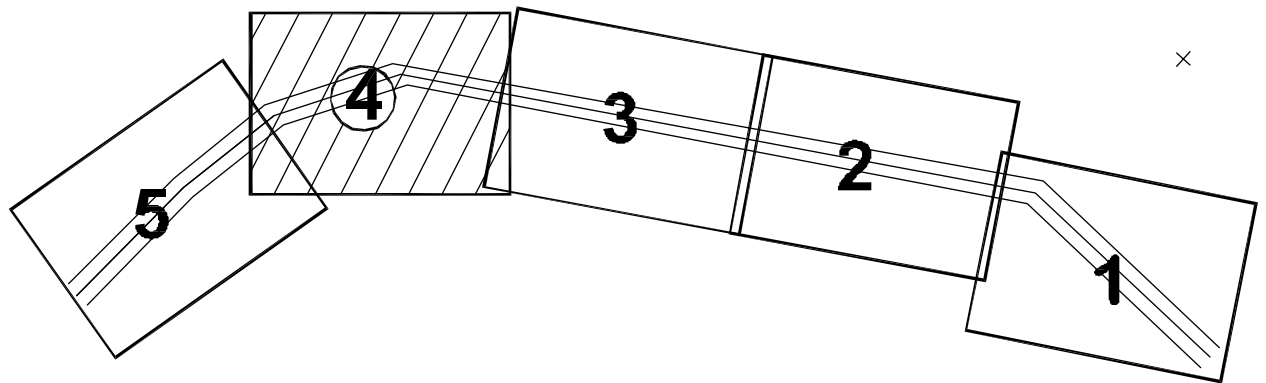


PRELIMINARY ISSUE
THIS PLAN ISSUED FOR
ADVANCE INFORMATION ONLY



SHEET INDEX



US Army Corps
of Engineers
San Francisco District
1455 Market Street
San Francisco, CA 94103

Mark	Description	Date	Appr.

SUBMITTED: MC Mide Survey Team Leader	DESIGNED BY: TYW	CHECKED BY: EVC	DRAWN BY: EVC
	APPROVAL RECOMMENDED: DATE: 02/28/2008	SHEET NO: 4	DRAWING NO: 52 2 XXX
APPROVED: Chief, Technical Support Section	DESIGNED UNDER THE DIRECTION OF CRAIG W. KILEY LT. COLONEL, C.E., DISTRICT ENGINEER		

SONOMA COUNTY CALIFORNIA
PETALUMA RIVER
ACROSS THE FLAT
CONDITION SURVEY
15.19 FEBRUARY 2008

Sheet reference number
C4

