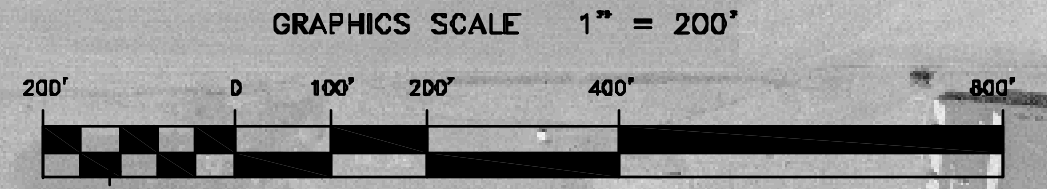
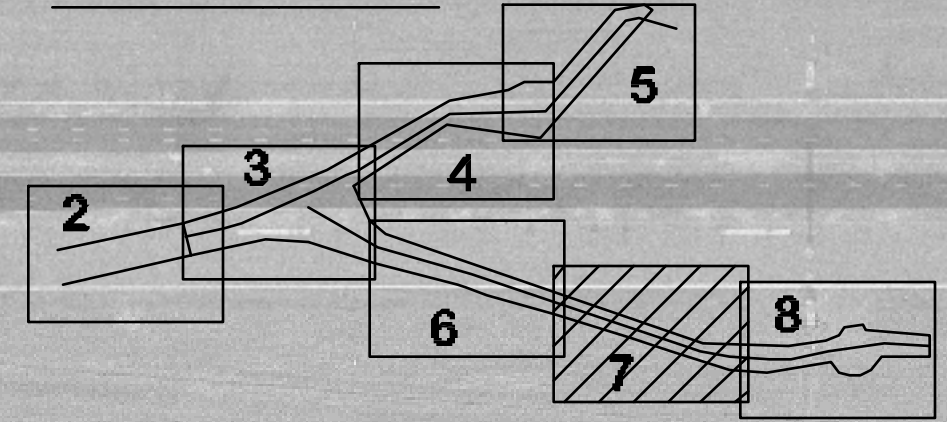


PRELIMINARY ISSUE
THIS PLAN ISSUED FOR
ADVANCE INFORMATION ONLY

SHEET INDEX



US Army Corps
of Engineers
San Francisco District
1455 Market Street
San Francisco, CA 94103

NO.	DATE	DESCRIPTION	BY	DATE	APP.
1	2/10/2010	ISSUED FOR ADVANCE INFORMATION ONLY	LAURENCE M. FARRELL		
2					
3					
4					
5					
6					
7					
8					

DESIGNED BY:	CHECKED BY:	DATE:	SHEET NO.:	DRAWING NO.:
PDT	PDT	2/10/2010	7 OF 8	2
APPROVAL RECOMMENDED:				
STEPHEN P. KILMON, P.S.M.				
Chief of Operations				
APPROVED:				
LAURENCE M. FARRELL				
Lt. Colonel, C.E., District Engineer				

ALAMEDA COUNTY
OAKLAND HARBOR
INNER HARBOR
CONDITION SURVEY
5&7 FEBRUARY 2010

Sheet reference
number
C7

MATCH LINE SHEET - 8

MATCH LINE SHEET - 6