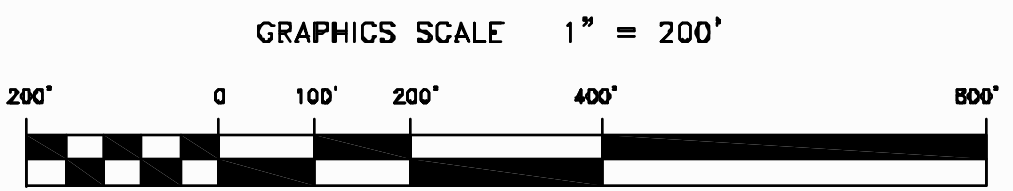
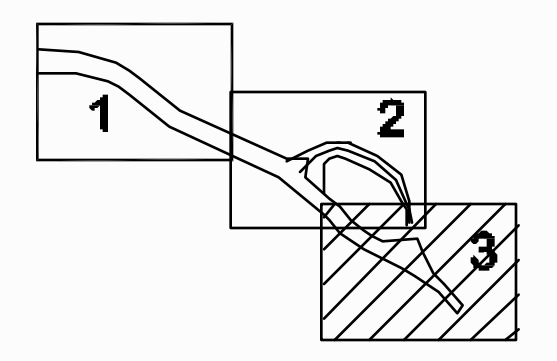


PRELIMINARY ISSUE
THIS PLAN ISSUED FOR
ADVANCE INFORMATION ONLY

**VOLUME CALCULATIONS
FOR DREDGING CHANNEL
TO COAST GUARD DOCKS
ENDS AT STATION 112+00**

SHEET INDEX



MATCHLINE - SHT 3

US Army Corps
of Engineers
San Francisco District
1455 Market Street
San Francisco, CA 94103

Mark	Description	Date	Appr.

SUBMITTED:	MC	DESIGNED BY:	PC
	Issue stamp from Letter		EVC
APPROVAL RECOMMENDED:	CMAA, Technical Support Staff	DATE:	3/16/2009
			3 OF 3
APPROVED:	CMAA, Construction Branch	DRAWN BY:	PC
			DRIVING NO.
PREPARED UNDER THE DIRECTION OF		LAURENCE M. FARRELL	
		LT. COLONEL, C.E., DISTRICT ENGINEER	

CALIFORNIA
ALAMEDA COUNTY
OAKLAND INNER HARBOR
BROOKLYN BASIN SOUTH CHANNEL
CONDITION SURVEY
14 MARCH 2009

Sheet
reference
number
C3