

NOTES:

DRAWING NOT TO BE USED AS NAVIGATION. ONLY CHANNEL CONDITION AT DATE OF SURVEY. THE LOCATION OF ALL NAVIGATION AIDS ARE BASED ON INFORMATION PROVIDED BY THE U.S. COAST GUARD. BUOY LOCATIONS REPRESENT THE POSITION OF THE SINKER ONLY.

SURVEYED BY THE CORPS OF ENGINEERS.

SOUNDINGS ARE TAKEN BY FATHOMETER AND ARE SHOWN TO THE NEAREST FOOT AND TENTHS OF A FOOT.

SOUNDINGS ARE BASED ON THE DATUM OF MEAN LOWER LOW WATER AT THE LOCALITY. NAVD 88.

PLANE GRID AND COORDINATES ARE BASED ON THE STATE OF CALIFORNIA COORDINATE SYSTEM, LAMBERT CONFORMAL PROJECTION, ZONE III NAD 83, CALIFORNIA, AS DESCRIBED IN SPECIAL PUBLICATION NO. 235, PUBLISHED BY THE NATIONAL OCEAN SURVEY.

INFORMATION DEPICTED ON THIS MAP REPRESENT THE RESULTS OF SURVEYS MADE ON THE DATES INDICATED AND CAN ONLY BE CONSIDERED AS INDICATING THE GENERAL CONDITIONS EXISTING AT THAT TIME.

PROJECT DEPTH IS 45 AT M.L.L.W.

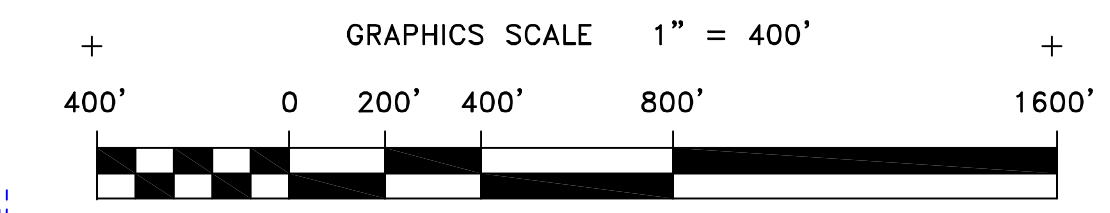
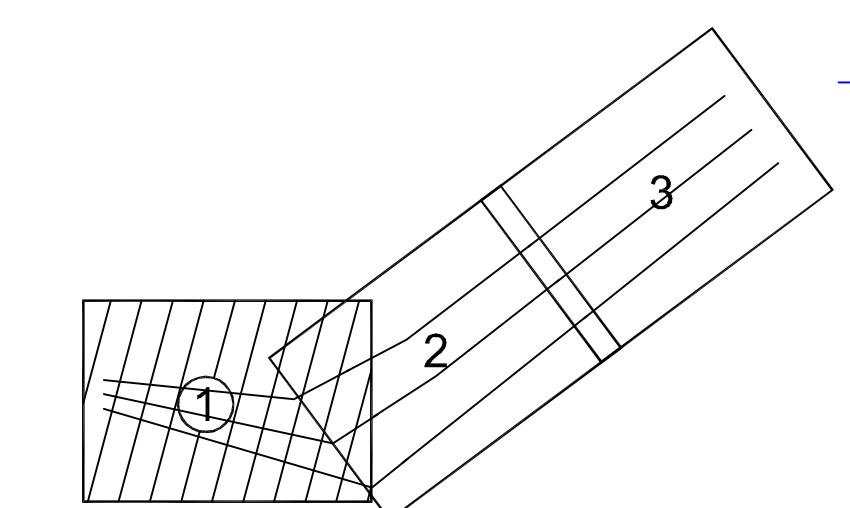
SOUNDINGS ARE BASED ON THE TIDE GAUGE LOCATED AT TIBURON NET DEPOT.

VERTICAL CONTROL:
BENCHMARK "10" (1937) ELEV. 15.96 FT. MLLW.
BENCHMARK "11" (1946) ELEV. 15.47 FT. MLLW.

HORIZONTAL CONTROL
COAST GUARD D-BEACON

LEGEND:

—	-45'
—	-44'
—	-43'
—	-42'
—	-41'



PRELIMINARY ISSUE
THIS PLAN ISSUED FOR
ADVANCE INFORMATION ONLY

NAD 83 CHANNEL ANGLE POINTS		
∠ PT	X	Y
1	6001411.92	2168757.69
2	6000607.32	2160858.09
3	6003074.82	2156153.19
4	6013227.12	2142894.39
5	6010430.32	2140664.79
6	5996932.22	2157596.09
7	6000210.52	2168757.69

NAD 83 CENTERLINE ANGLE POINTS		
∠ PT	X	Y
C1	6000811.22	2168757.69
C2	5998768.72	2158227.39
C3	6001548.62	2154936.49
C4	6011828.72	2141779.59

US Army Corps
of Engineers
San Francisco District
1455 Market Street
San Francisco, CA 94103

DESIGNED BY:	CHECKED BY:	DRAWN BY:			
PDT	PDT	PDT			
DATE:	DATE:	DATE:			
7/6/2010	7/6/2010	7/6/2010			
APPROVAL RECOMMENDED:			PREPARED UNDER THE DIRECTION OF		
STEPHEN P. KILMON, P.S.M. Chief, Geomatics Section			LAURENCE M. FARRELL LT. COLONEL, C.E., DISTRICT ENGINEER		
APPROVED:			Chief, Construction Branch		

CALIFORNIA

CONTRA COSTA COUNTY

NORTH SHIP CHANNEL

CONDITION SURVEY

24,28,29,30 JUNE 2010

Sheet reference number

G1