

NOTES:

DRAWING NOT TO BE USED AS NAVIGATION. ONLY CHANNEL CONDITION AT DATE OF SURVEY. THE LOCATION OF ALL NAVIGATION AIDS ARE BASED ON INFORMATION PROVIDED BY THE U.S. COAST GUARD. BUOY LOCATIONS REPRESENT THE POSITION OF THE SINKER ONLY.

SURVEYED BY THE CORPS OF ENGINEERS.

SOUNDINGS ARE TAKEN BY FATHOMETER AND ARE SHOWN TO THE NEAREST FOOT AND TENTHS OF A FOOT.

SOUNDINGS ARE BASED ON THE DATUM OF MEAN LOWER LOW WATER AT THE LOCALITY. NGVD 1929.

PLANE GRID AND COORDINATES ARE BASED ON THE STATE OF CALIFORNIA COORDINATE SYSTEM, LAMBERT CONFORMAL PROJECTION, ZONE III NAD 83, CALIFORNIA, AS DESCRIBED IN SPECIAL PUBLICATION NO. 235, PUBLISHED BY THE NATIONAL OCEAN SURVEY.

INFORMATION DEPICTED ON THIS MAP REPRESENT THE RESULTS OF SURVEYS MADE ON THE DATES INDICATED AND CAN ONLY BE CONSIDERED AS INDICATING THE GENERAL CONDITIONS EXISTING AT THAT TIME.

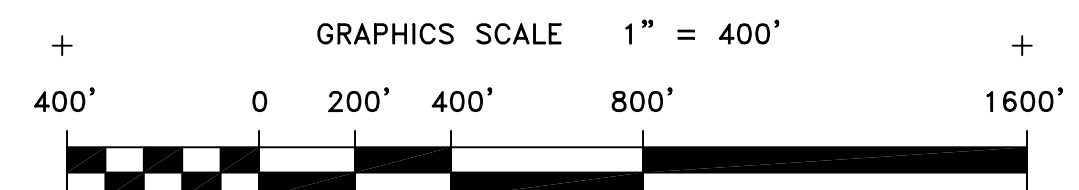
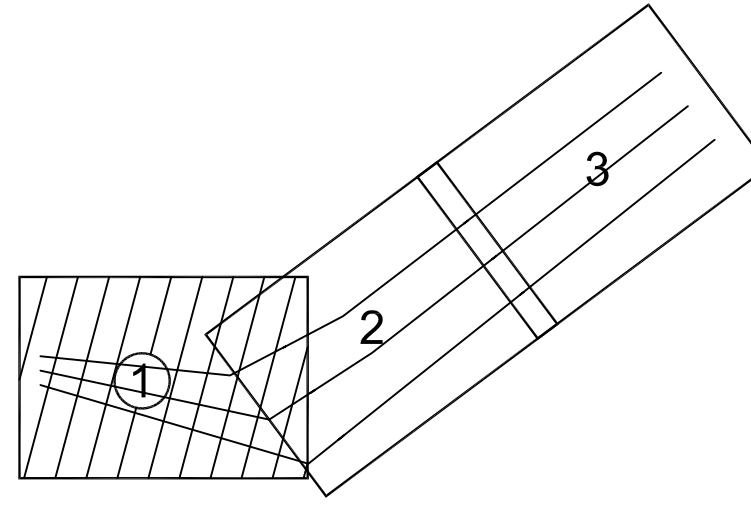
PROJECT DEPTH IS 45 AT M.L.L.W.

SOUNDINGS ARE BASED ON THE TIDE GAUGE LOCATED AT THE HYDE STREET PIER, SAN FRANCISCO, CALIFORNIA.

VERTICAL CONTROL:
BENCHMARK "10" (1937) ELEV. 15.45 FT. MLLW.
BENCHMARK "11" (1946) ELEV. 15.47 FT. MLLW.

TIDE GAUGE LOCATION: TIBURQON NET DEPOT

HORIZONTAL CONTROL
COAST GUARD D-BEACON



PRELIMINARY ISSUE
THIS PLAN ISSUED FOR
ADVANCE INFORMATION ONLY

NAD 83 CHANNEL ANGLE POINTS			NAD 83 CENTERLINE ANGLE POINTS		
∠ PT	X	Y	∠ PT	X	Y
1	6001411.92	2168757.69	C1	6000811.22	2168757.69
2	6000607.32	2160858.09	C2	5998769.72	2159227.08
3	6003074.82	2156153.19	C3	6001548.62	2154936.49
4	6013227.12	2142894.39	C4	6011828.72	2141779.59
5	6010430.32	2140664.79			
6	5996932.22	2157596.09			
7	6000210.52	2168757.69			

US Army Corps
of Engineers
San Francisco District
333 Market Street
San Francisco, CA 94105

Mark	Description	Date	Appr.

SUBMITTED:	TW	CHECKED BY:	PC	EWC
	Hydro Survey Section	DATE:	4/28/2004	DRAWING NO.
APPROVAL RECOMMENDED:	1 OF 3	133	2	4
APPROVED:	PREPARED UNDER THE DIRECTION OF		PHILIP T. FEIR	
	LIT. COLONEL, C.E., DISTRICT ENGINEER			

CALIFORNIA

CONTRA COSTA COUNTY

NORTH SHIP CHANNEL

CONDITION SURVEY

20--22 APRIL 2004

Sheet reference number

C1