

**NOTES:**

DRAWING NOT TO BE USED AS NAVIGATION. ONLY CHANNEL CONDITION AT DATE OF SURVEY. THE LOCATION OF ALL NAVIGATION AIDS ARE BASED ON INFORMATION PROVIDED BY THE U.S. COAST GUARD. BUOY LOCATIONS REPRESENT THE POSITION OF THE SINKER ONLY.

SURVEYED BY THE CORPS OF ENGINEERS.

SOUNDINGS ARE TAKEN BY FATHOMETER AND ARE SHOWN TO THE NEAREST FOOT AND TENTHS OF A FOOT.

SOUNDINGS ARE BASED ON THE DATUM OF MEAN LOWER LOW WATER AT THE LOCALITY. NAVD 88.

PLANE GRID AND COORDINATES ARE BASED ON THE STATE OF CALIFORNIA COORDINATE SYSTEM, LAMBERT CONFORMAL PROJECTION, ZONE III NAD 83, CALIFORNIA, AS DESCRIBED IN SPECIAL PUBLICATION NO. 235, PUBLISHED BY THE NATIONAL OCEAN SURVEY.

INFORMATION DEPICTED ON THIS MAP REPRESENT THE RESULTS OF SURVEYS MADE ON THE DATES INDICATED AND CAN ONLY BE CONSIDERED AS INDICATING THE GENERAL CONDITIONS EXISTING AT THAT TIME.

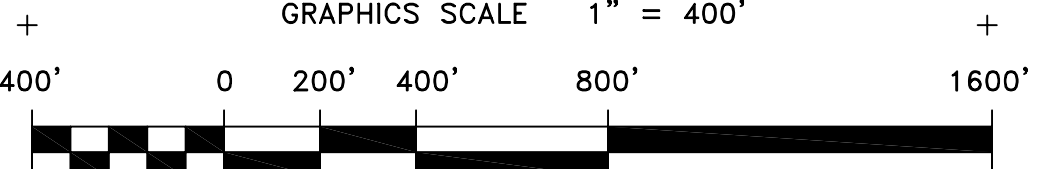
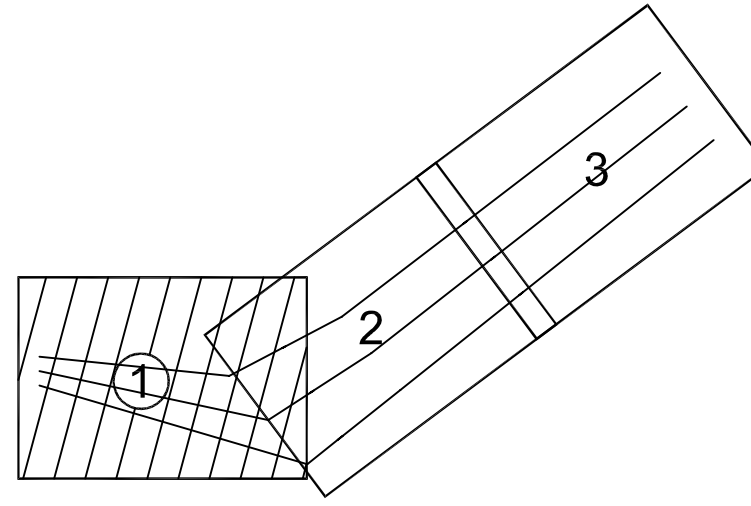
PROJECT DEPTH IS 45 AT M.L.L.W.

SOUNDINGS ARE BASED ON THE TIDE GAUGE LOCATED AT THE HYDE STREET PIER, SAN FRANCISCO, CALIFORNIA.

VERTICAL CONTROL:  
BENCHMARK "10" (1937) ELEV. 15.86 FT. MLLW.  
BENCHMARK "11" (1946) ELEV. 15.47 FT. MLLW.

TIDE GAUGE LOCATION: TIBURON NET DEPOT

HORIZONTAL CONTROL +  
COAST GUARD D-BEACON



PRELIMINARY ISSUE  
THIS PLAN ISSUED FOR  
ADVANCE INFORMATION ONLY

NAD 83 CHANNEL ANGLE POINTS		
∠ PT	X	Y
1	6001411.92	2168757.69
2	6000607.32	21680858.09
3	6003074.82	2156153.19
4	6013227.12	2142894.39
5	6010430.32	2140664.79
6	5996932.22	2157596.09
7	6000210.52	2168757.69

NAD 83 CENTERLINE ANGLE POINTS		
∠ PT	X	Y
C1	6000611.22	2168757.69
C2	5998769.72	2159227.09
C3	6001548.62	2154936.49
C4	6011828.72	2141779.59

US Army Corps  
of Engineers  
San Francisco District  
1455 Market Street  
San Francisco, CA 94103

Mark	Description	Date	Appr.

SUBMITTED: MC Hydro Survey Team Leader	DESIGNED BY:	CHECKED BY:	DRAWN BY:	EWC
	DATE:	3/25/2007	TVW	TVW
APPROVAL RECOMMENDED:	SHEET NO.	DRAWING NO.		
CHIEF, Technical Support Section	1 OF 3	133		
APPROVED:	PREPARED UNDER THE DIRECTION OF			
	CRAIG W. KILEY			
	LT. COLONEL, C.E., DISTRICT ENGINEER			

CALIFORNIA  
CONTRA COSTA COUNTY  
**NORTH SHIP CHANNEL**  
CONDITION SURVEY  
12-13 & 20-21 MARCH 2008

Sheet reference number  
**C1**