

NAD 83
CHANNEL ANGLE POINTS

Z PT	X	Y
1	6001411.92	2168757.69
2	6000697.32	2169356.09
3	6003974.82	2166153.19
4	6013227.12	2142394.39
5	6010430.32	2140564.79
6	5986932.22	2157596.09
7	6000210.52	2169757.69

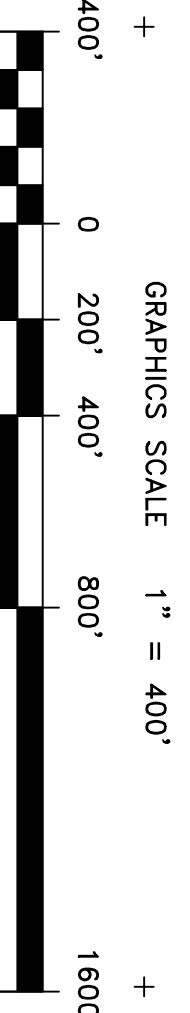
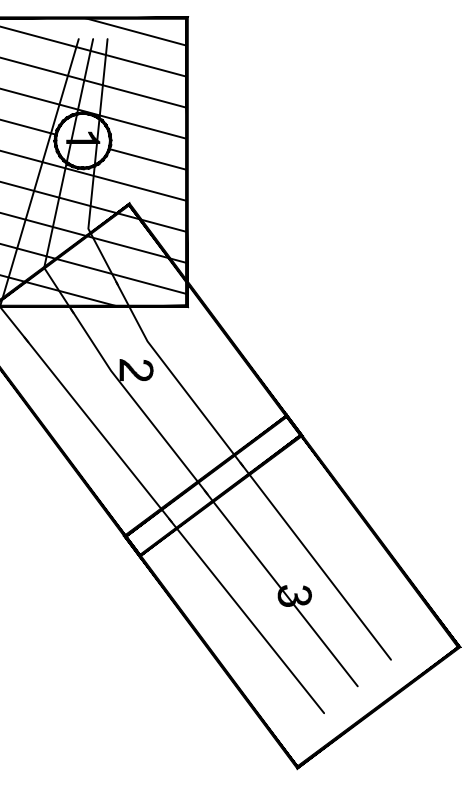
NAD 83
CENTERLINE ANGLE POINTS

Z PT	X	Y
C1	6000811.22	2168757.69
C2	6001488.82	2154336.49
C4	6011828.72	2141779.59

PRELIMINARY ISSUE
ADVANCE INFORMATION ONLY

NOTES:
DRAWING NOT TO BE USED AS NAVIGATION. ONLY CHANNEL CONDITION AT DATE OF SURVEY. THE LOCATION OF ALL NAVIGATION AIDS ARE BASED ON INFORMATION PROVIDED BY THE U.S. COAST GUARD. BUOY LOCATIONS REPRESENT THE POSITION OF THE SINKER ONLY.
SURVEYED BY THE CORPS OF ENGINEERS.
SOUNDINGS ARE TAKEN BY FATHOMETER AND ARE SHOWN TO THE NEAREST FOOT AND TENTHS OF A FOOT.
SOUNDINGS ARE BASED ON THE DATUM OF MEAN LOWER LOW WATER AT THE LOCALITY.
PLANE GRID AND COORDINATES ARE BASED ON THE STATE OF CALIFORNIA COORDINATE SYSTEM LAMBERT CONFORMAL PROJECTION, ZONE 11N UTM 83, CALIFORNIA, AS DESCRIBED IN SPECIAL PUBLICATION NO. 255 PUBLISHED BY THE NATIONAL OCEANIC SURVEY.
INFORMATION DEPICTED ON THIS MAP REPRESENT THE RESULTS OF SURVEYS MADE ON THE DATES INDICATED AND CAN ONLY BE CONSIDERED AS INDICATING THE GENERAL CONDITIONS EXISTING AT THAT TIME.
PROJECT DEPTH IS 45 AT M.L.L.W.
SOUNDINGS ARE BASED ON THE TIDE GAUGE LOCATED AT THE HYDE STREET PER, SAN FRANCISCO, CALIFORNIA.

VERTICAL CONTROL:
BENCHMARK 10' (1937) ELEV. 15.86 FT. M.L.W.
BENCHMARK 11' (1946) ELEV. 15.47 FT. M.L.W.
TIDE GAUGE LOCATION: TIBURON NET DEPOT
HORIZONTAL CONTROL: +
COAST GUARD D-BEACON



CONTRA COSTA COUNTY CALIFORNIA
NORTH SHIP CHANNEL
CONDITION SURVEY
29-31 JULY 2015

SUBMITTED: PDT	DESIGNED BY:	CHECKED BY: PDT	DRAWN BY: PDT
Hydro Survey Team Leader	DATE: 8/3/2015	SHEET NO. 1 OF 3	DRAWING NO. 133
APPROVAL RECOMMENDED:	PREPARED UNDER THE DIRECTION OF JOHN C. MORROW LT. COLONEL, C.E., DISTRICT ENGINEER		
Chief, Geomatics Section			
APPROVED:			
Chief, Construction Branch			

Mark	Description	Date	Appr.

US Army Corps of Engineers
San Francisco District
San Francisco, CA 94103

Sheet reference number
C1