

  
 US Army Corps  
 of Engineers  
 San Francisco District  
 333 Market Street  
 San Francisco, CA 94105

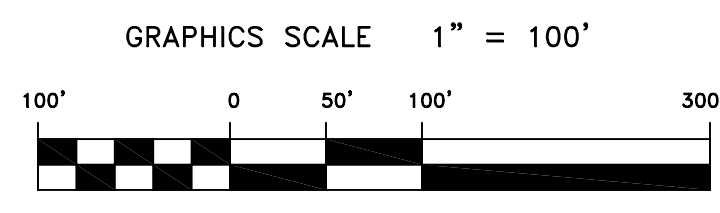
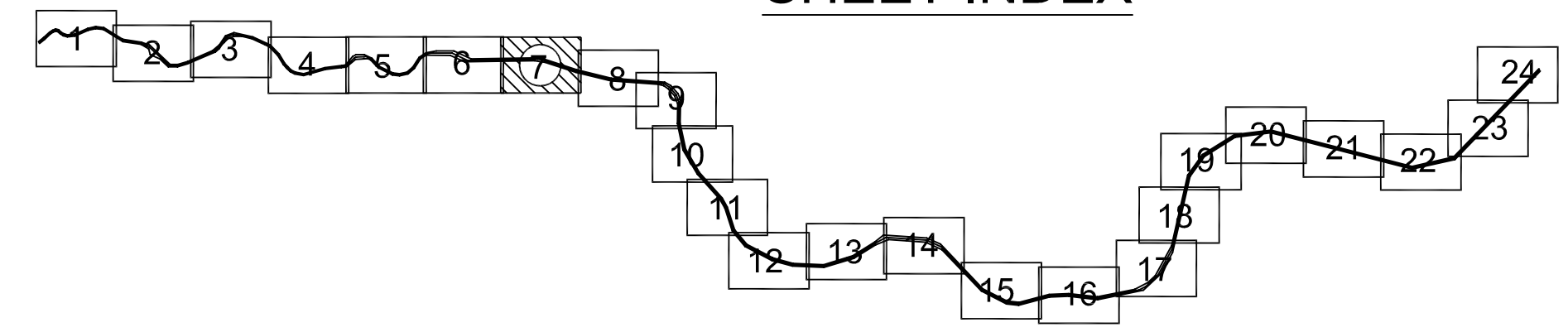
Mark	Description	Date	Appr.

SUBMITTED: Herra Survey Team Leader APPROVAL RECOMMENDED: Chief, Technical Support Section APPROVED: Chief, Construction Branch	DESIGNED BY: TVW	CHECKED BY: TVW	DRAWN BY: EWC
	DATE: 10/10/2006	SHEET NO. 7 OF 24	DRAWING NO. 50 2 163
PREPARED UNDER THE DIRECTION OF CRAIG W. KILEY LT. COLONEL, C.E., DISTRICT ENGINEER			

MARIN COUNTY  
**NAPA RIVER**  
**CONDITION SURVEY**  
**28-29 SEPTEMBER**  
**AND**  
**3-4 OCTOBER 2006**  
 CALIFORNIA

Sheet reference number  
**C7**

**SHEET INDEX**



PRELIMINARY ISSUE  
 THIS PLAN ISSUED FOR  
 ADVANCE INFORMATION ONLY