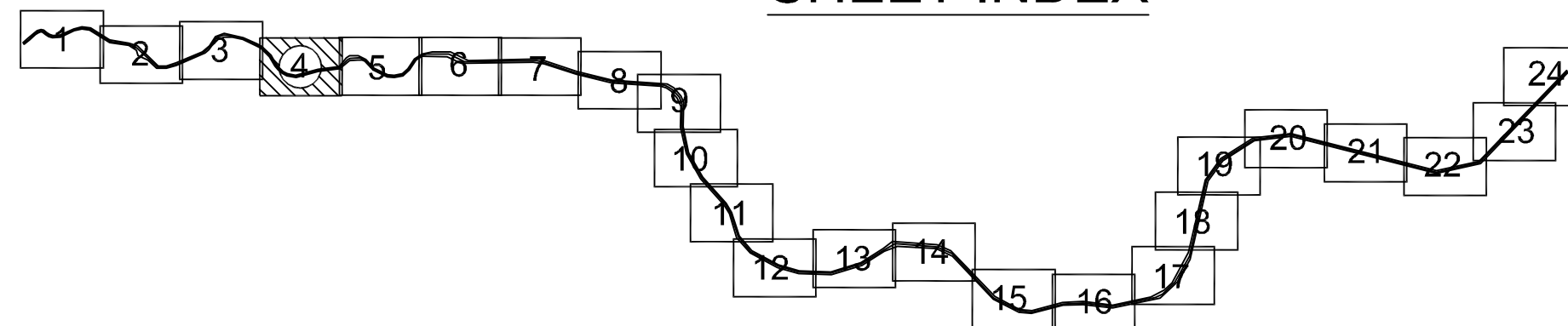
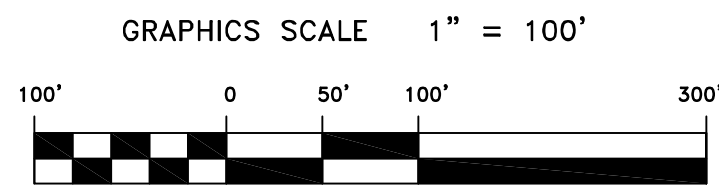
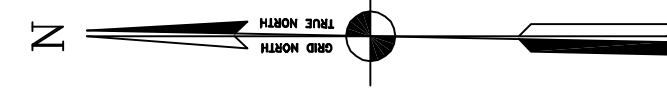


**PRELIMINARY ISSUE**  
THIS PLAN ISSUED FOR  
ADVANCE INFORMATION ONLY



US Army Corps  
of Engineers  
San Francisco District  
1455 Market Street  
San Francisco, CA 94103

Mark	Description	Date	Appr.

DESIGNED BY:	MC	CHECKED BY:	TVW	DRAWN BY:	EWC
DATE:	06/11/2008	SHEET NO.:	4 OF 24	DRAWING NO.:	50 2 165
APPROVAL RECOMMENDED:	Chief, Technical Support Section	PREPARED UNDER THE DIRECTION OF			
APPROVED:	Chief, Construction Branch	CRAIG W. KILEY			
		LT. COLONEL, C.E., DISTRICT ENGINEER			

NAPA COUNTY  
CALIFORNIA  
NAPA RIVER  
CONDITION SURVEY  
06, 9-11 JUNE 2008

Sheet reference number  
**C4**

