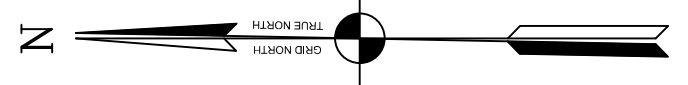
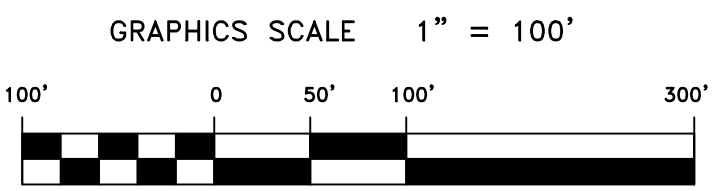
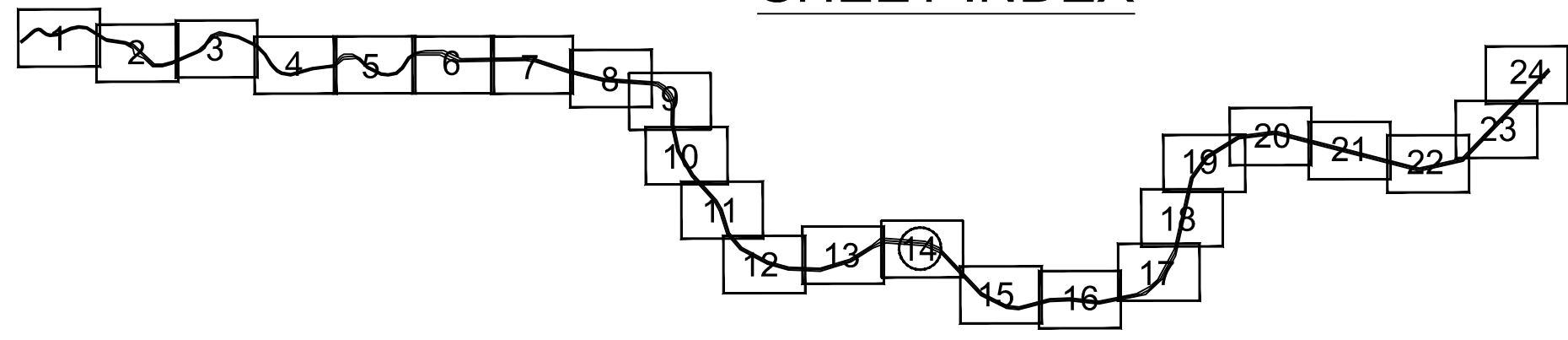


PRELIMINARY ISSUE  
THIS PLAN ISSUED FOR  
ADVANCE INFORMATION ONLY



SHEET INDEX



MATCHLINE - SHEET 15

Mark	Description	Date	Appr.

DESIGNED BY:	CHEKED BY:	DRAWN BY:	PDT
DATE:	SHEET NO.:	DRAWING NO.:	PDT
04/19/2012	1 OF 24	50	2
APPROVAL RECOMMENDED:			
CHIEF, Geomatics Section			
APPROVED:			
PREPARED UNDER THE DIRECTION OF			
TORREY A. DICIRO			
LT. COLONEL, C.E., DISTRICT ENGINEER			

CALIFORNIA  
NAPA COUNTY  
NAPA RIVER  
CONDITION SURVEY  
3-7 & 12, 17 & 19 APRIL 2012

Sheet reference number  
C14

US Army Corps of Engineers  
San Francisco District  
1455 Market Street  
San Francisco, CA 94103

