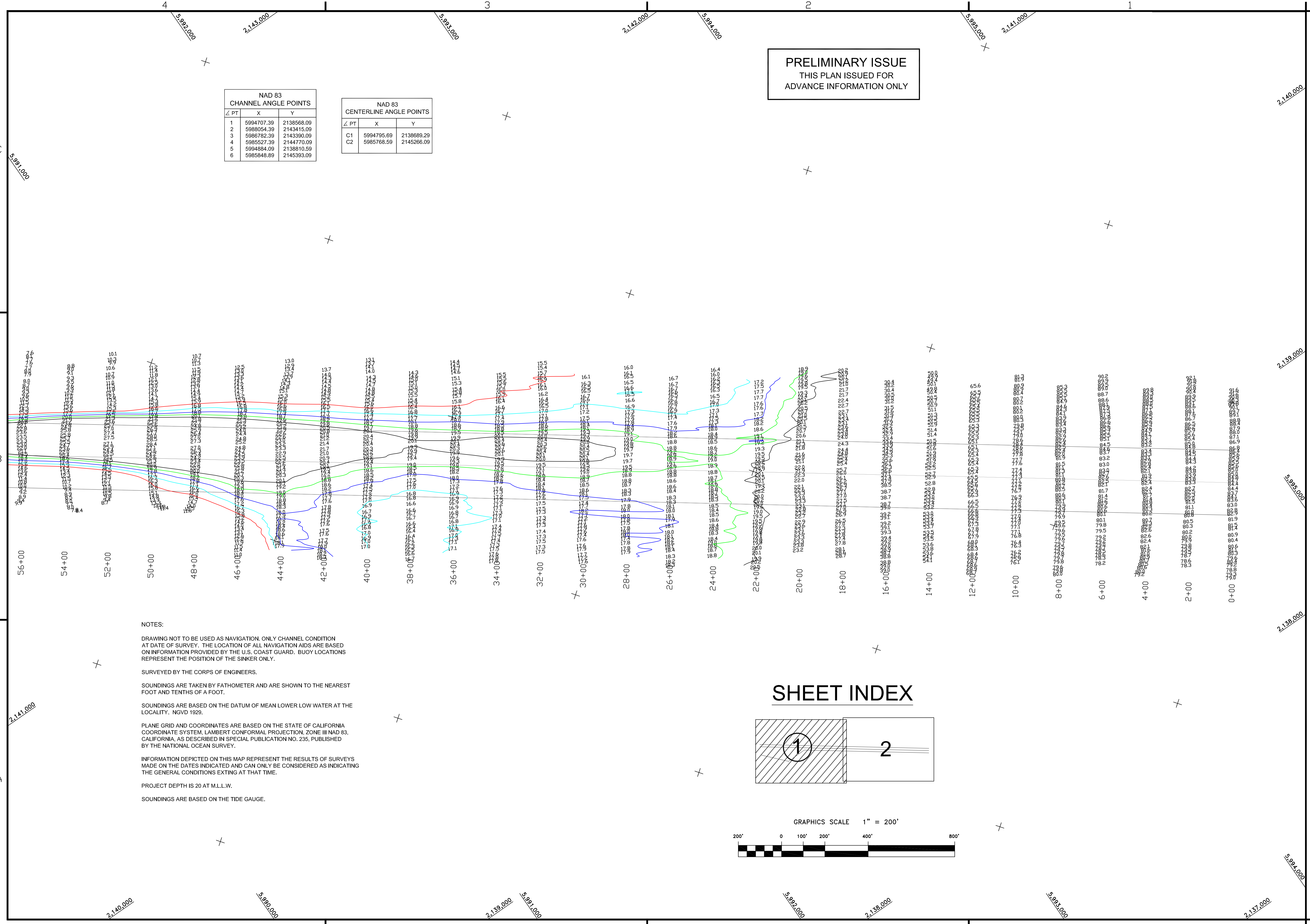


PRELIMINARY ISSUE
THIS PLAN ISSUED FOR
ADVANCE INFORMATION ONLY

NAD 83 CHANNEL ANGLE POINTS		
∠ PT	X	Y
1	5994707.39	2138568.09
2	5988054.39	2143415.09
3	5986782.39	2143390.09
4	5985527.39	2144770.09
5	5984884.09	2138810.59
6	5985848.89	2145393.09

NAD 83 CENTERLINE ANGLE POINTS		
∠ PT	X	Y
C1	5994795.69	2138689.29
C2	5985768.59	2145266.09



NOTES:

DRAWING NOT TO BE USED AS NAVIGATION. ONLY CHANNEL CONDITION AT DATE OF SURVEY. THE LOCATION OF ALL NAVIGATION AIDS ARE BASED ON INFORMATION PROVIDED BY THE U.S. COAST GUARD. BUOY LOCATIONS REPRESENT THE POSITION OF THE SINKER ONLY.

SURVEYED BY THE CORPS OF ENGINEERS.

SOUNDINGS ARE TAKEN BY FATHOMETER AND ARE SHOWN TO THE NEAREST FOOT AND TENTHS OF A FOOT.

SOUNDINGS ARE BASED ON THE DATUM OF MEAN LOWER LOW WATER AT THE LOCALITY. NGVD 1929.

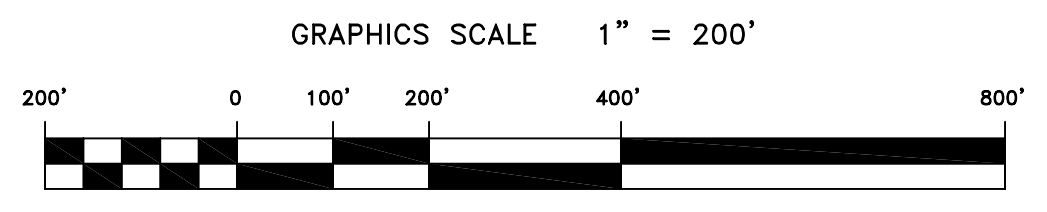
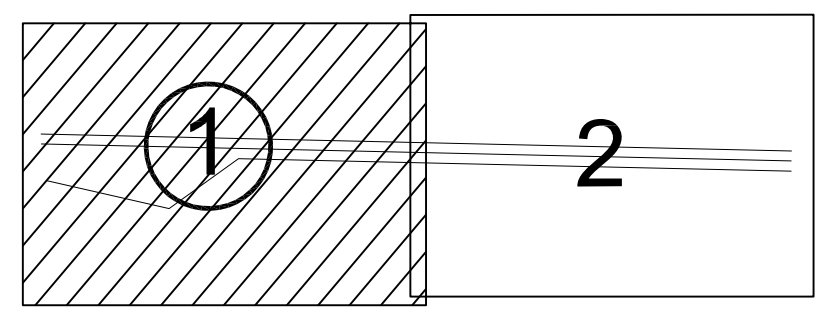
PLANE GRID AND COORDINATES ARE BASED ON THE STATE OF CALIFORNIA COORDINATE SYSTEM, LAMBERT CONFORMAL PROJECTION, ZONE III NAD 83, CALIFORNIA, AS DESCRIBED IN SPECIAL PUBLICATION NO. 235, PUBLISHED BY THE NATIONAL OCEAN SURVEY.

INFORMATION DEPICTED ON THIS MAP REPRESENT THE RESULTS OF SURVEYS MADE ON THE DATES INDICATED AND CAN ONLY BE CONSIDERED AS INDICATING THE GENERAL CONDITIONS EXISTING AT THAT TIME.

PROJECT DEPTH IS 20 AT M.L.L.W.

SOUNDINGS ARE BASED ON THE TIDE GAUGE.

SHEET INDEX



US Army Corps
of Engineers
San Francisco District
333 Market Street
San Francisco, CA 94105

Mark	Description	Date	Appr.

SUBMITTED:	DESIGNED BY:	CHECKED BY:	DRAWN BY:
Hydro Survey Team Leader	TVW	TVW	EC
APPROVAL RECOMMENDED:	DATE:	SHEET NO.	DRAWING NO.
Chief, Technical Support Section	8/16/2007	1 OF 3	133 2 7
APPROVED:	PREPARED UNDER THE DIRECTION OF		
Chief, Construction Branch	PHILIP T. FEIR		
	LT. COLONEL, C.E., DISTRICT ENGINEER		

MARIN COUNTY CALIFORNIA
MARINSHIP CHANNEL
CONDITION SURVEY
01 AUGUST 2007

Sheet reference number
C1