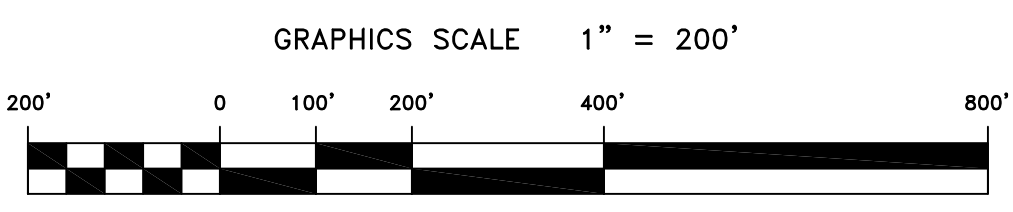
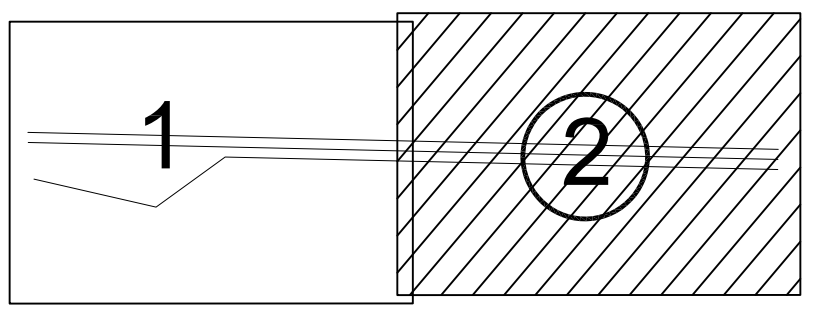


PRELIMINARY ISSUE
THIS PLAN ISSUED FOR
ADVANCE INFORMATION ONLY

SHEET INDEX



US Army Corps
of Engineers
San Francisco District
1455 Market Street
San Francisco, CA 94103

Mark	Description	Date	Appr.

DESIGNED BY: PDT	CHECKED BY: PDT	DRAWN BY: PDT
DATE: 4/6/2011	SHEET NO. 2 OF 2	DRAWING NO. 133 2
APPROVAL RECOMMENDED: Chief, Geomatics Section		
APPROVED: TORREY A. DICIRO LT. COLONEL, C.E., DISTRICT ENGINEER		
SUBMITTED: Hydros Survey Team Leader		

MARIN COUNTY CALIFORNIA
MARINSHIP CHANNEL
CONDITION SURVEY
04 FEBRUARY 2011

Sheet reference number
C2