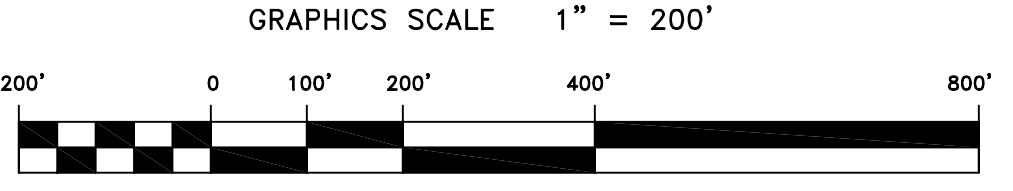
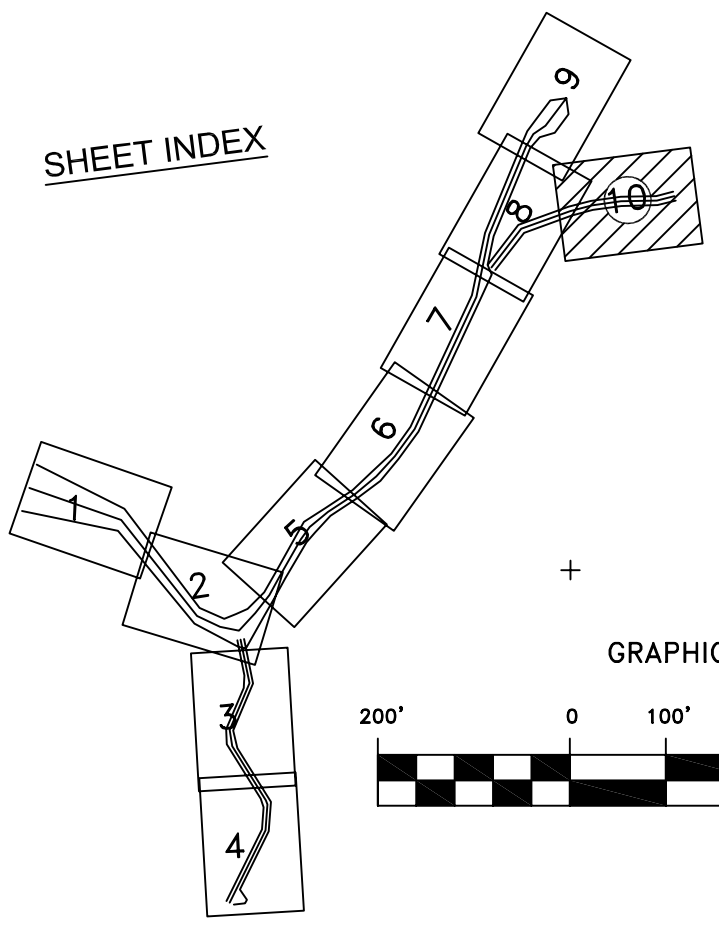



PRELIMINARY ISSUE
THIS PLAN ISSUED FOR
ADVANCE INFORMATION ONLY




US Army Corps
of Engineers
San Francisco District
1455 Market Street
San Francisco, CA 94103

Mark	Description	Date	Appr.

SUBMITTED: Hydro Survey Team Leader APPROVAL RECOMMENDED: Chief, Technical Support Section APPROVED: Chief, Construction Branch	DESIGNED BY:	CHECKED BY:	DRAWN BY:
	DATE:	DATE:	DATE:
	6/14/2007	10 OF 10	5 2 322
PREPARED UNDER THE DIRECTION OF CRAIG W. KILEY LT. COLONEL, C.E., DISTRICT ENGINEER			

HUMBOLDT COUNTY CALIFORNIA
HUMBOLDT BAY
EUREKA CHANNEL
POST-DREDGE SURVEY
26 MAY - 2 JUNE 2007

Sheet
reference
number
C10