

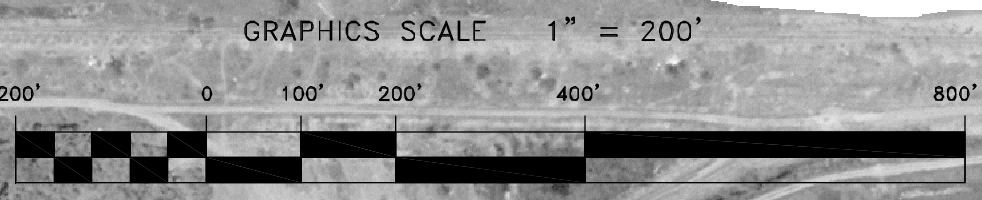
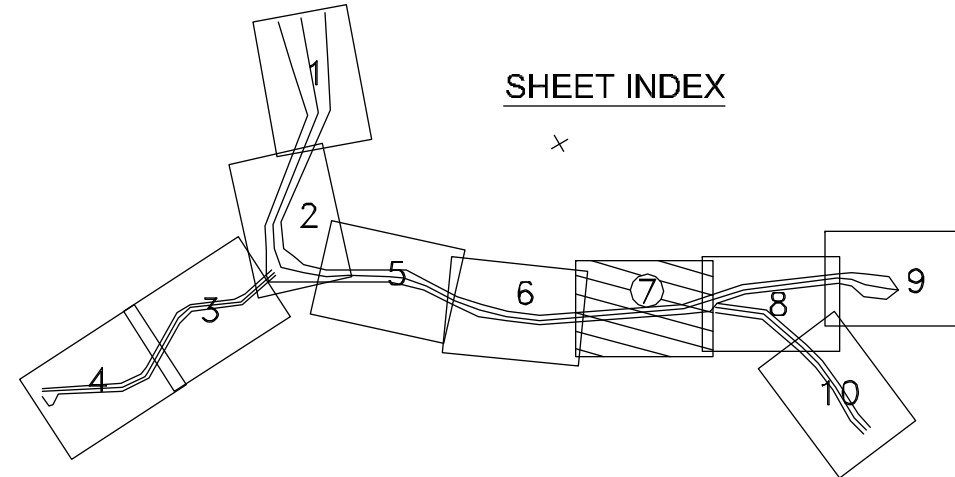
NAD 1983
CENTERLINE ANGLE POINTS
SOMOA CHANNEL

Δ PT	X	Y
D1	5945441.99	2165575.43
D2	5945282.59	2163894.63
D3	5944966.79	2161658.39
D4	5945075.59	2160948.23
D5	5945654.109	2158920.83
D6	5945802.79	2158414.13
D7	5946520.69	2157298.13
D8	5944966.49	2154158.43

NAD 1983
CHANNEL ANGLE POINTS
SOMOA CHANNEL

Δ PT	X	Y
1D	5945294.99	2165445.53
2D	5945605.39	2164049.93
3D	5945577.09	2163407.73
4D	5944815.19	2161636.73
5D	5945194.89	2161023.63
6D	5946320.29	2158977.13
7D	5946443.89	2158295.73
8D	5946373.29	2157338.13
9D	5944832.09	2154225.89
10D	5945142.49	2154071.39
11D	5945640.09	2154120.63
12D	5945718.89	2154275.39
13D	5945411.89	2154719.93
14D	5946688.09	2157257.84
15D	5946761.99	2158532.43
16D	5945301.39	2160869.83
17D	5945118.39	2161632.23
18D	5945982.89	2163668.83
19D	5945588.99	2165605.33

PRELIMINARY ISSUE
THIS PLAN IS FOR
ADVANCE INFORMATION ONLY



US Army Corps
of Engineers
San Francisco District
1455 Market Street
San Francisco, CA 94103

Mark	Description	Date	Appr.

SUBMITTER:	PC	DESIGNED BY:	TVV	CHECKED BY:	TVV	DRAWN BY:	EWC
APPROVAL RECOMMENDED:	Hydro Survey Team Leader	DATE:	7 OF 10	SHEET NO.:	5	DRAWING NO.:	2
APPROVED:	Chief, Technical Support Section	PREPARED UNDER THE DIRECTION OF	LAURENCE M. FARRELL				
	Chief, Construction Branch		LT. COLONEL, C.E., DISTRICT ENGINEER				

HUMBOLDT COUNTY CALIFORNIA
HUMBOLDT BAY
NORTH BAY & SAMOA CHANNEL
PREDRIDGE SURVEY
26 FEBRUARY - 1 MARCH 2009

Sheet reference number
C7