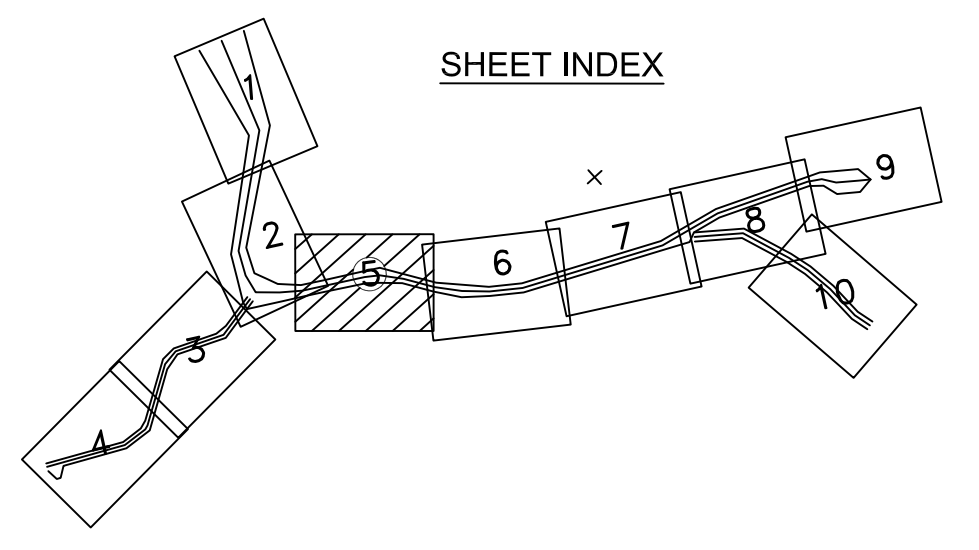
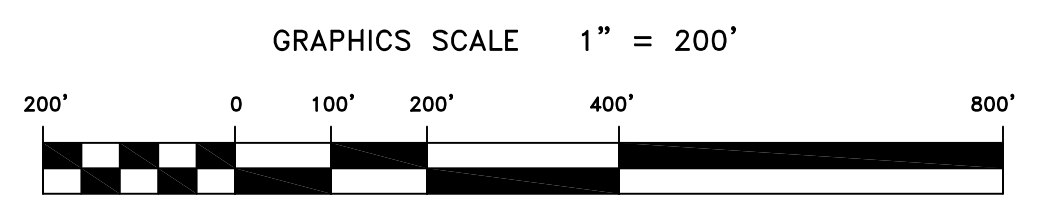


PRELIMINARY ISSUE  
THIS PLAN ISSUED FOR  
ADVANCE INFORMATION ONLY

**LEGEND:**

—	-38'
—	-37'
—	-36'
—	-35'
—	-34'



US Army Corps of Engineers  
San Francisco District  
1455 Market Street  
San Francisco, CA 94103

Mark	Description	Date	Appr.

SUBMITTED:	PDT	CHECKED BY:	PDT
	Hydra Survey Team Leader	DATE:	3/30/2010
APPROVAL RECOMMENDED:	SHEET NO.	5 OF 10	DRAWING NO.
Chief, Geomatics Section	PREPARED UNDER THE DIRECTION OF		
APPROVED:	TORREY A. DICIRO		
Chief, Construction Branch	LT. COLONEL, C.E., DISTRICT ENGINEER		

HUMBOLDT COUNTY CALIFORNIA  
**HUMBOLDT BAY NORTH BAY CHANNEL**  
CONDITION SURVEY  
25 MARCH 2012

Sheet reference number  
**C5**