

PRELIMINARY ISSUE
THIS PLAN ISSUED FOR
ADVANCE INFORMATION ONLY

LEGEND:

—	-48'
—	-47'
—	-46'
—	-45'
—	-44'

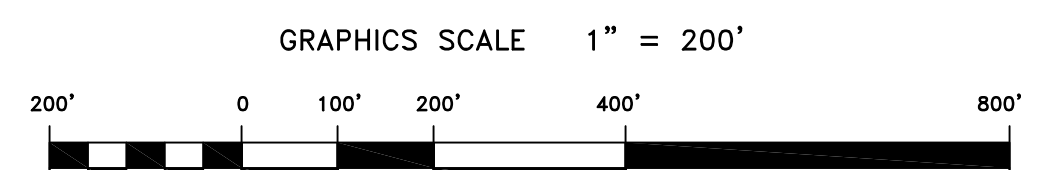
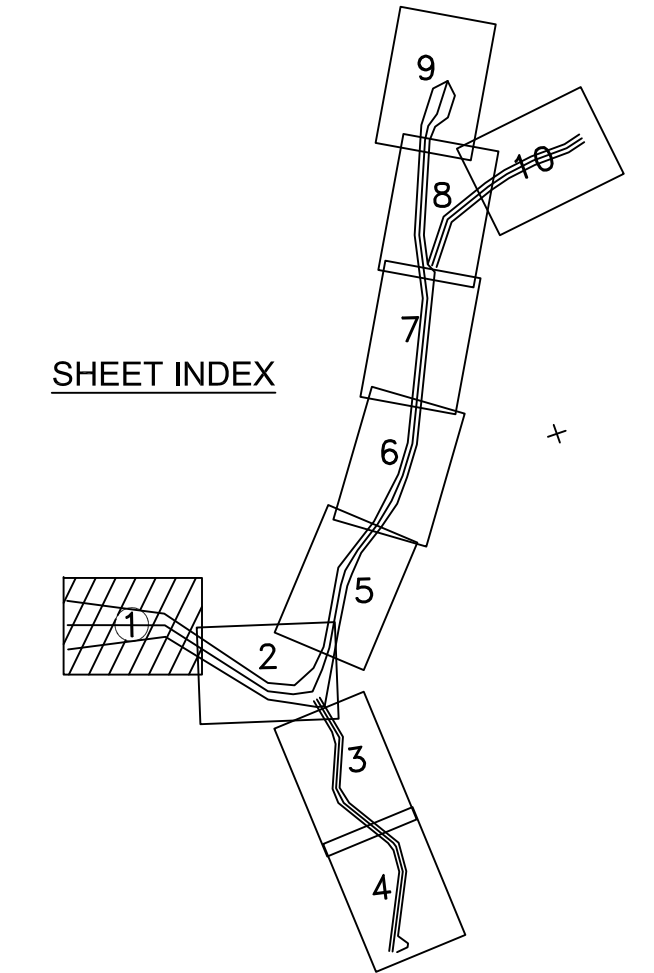
NOTES:
DRAWINGS NOT TO BE USED AS NAVIGATION. ONLY CHANNEL CONDITION AT DATE OF SURVEY. THE LOCATION OF ALL NAVIGATION AIDS ARE BASED ON INFORMATION PROVIDED BY THE U.S. COAST GUARD. BUOY LOCATION REPRESENT THE POSITION OF THE SINKER ONLY.
SURVEYED BY THE CORPS OF ENGINEERS.
SOUNDINGS WERE TAKEN BY FATHOMETER AND ARE SHOWN TO THE NEAREST TENTHS OF A FOOT.
SOUNDINGS ARE BASED ON THE DATUM OF MEAN LOWER LOW WATER AT THE LOCALITY, NAVD 1988.
PLANE GRID AND COORDINATES ARE BASED ON THE STATE OF CALIFORNIA COORDINATE SYSTEM, LAMBERT CONFORMAL PROJECTION, ZONE 1 NAD 83, CALIFORNIA, AS DESCRIBED IN SPECIAL PUBLICATION NO. 235, PUBLISHED BY THE NATIONAL OCEAN SURVEY.
PROJECT DEPTHS ARE AS FOLLOWS:
BAR & ENTRANCE CHANNEL = 49 FEET
NORTH BAY, SAMOA TO MILE 5.0 & = 38 FEET
EUREKA CHANNEL, FIELDS LANDING CHANNEL & MILE 5.0 TO "N" STREET = 26 FEET
1:00 INDICATES THE NUMBER AND BEGINNING OF A LINE OF SOUNDINGS.
SOUNDINGS ARE BASED ON TIDE GAUGES REFERENCED TO U.S.C. & G.S. BENCH MARKS AS FOLLOWS:
EUREKA & SAMOA CHANNELS - B.M. NO.4 (1906) ELEV. 33.81' M.L.L.W.
ENTRANCE & NORTH BAY CHANNELS - B.M. NO. 9 (1937) ELEV. 16.35' M.L.L.W.
FIELDS LANDING CHANNEL - B.M. NO. 5 (1925) ELEV. 6.52' M.L.L.W.

NAD 83
CENTERLINE ANGLE POINTS
HUMBOLDT BAY
(BAR & ENTRANCE)

∠ PT	X	Y
C1	5936273.49	2172157.43
C2	5938147.59	2171508.43
C3	5940265.09	2170773.43
C4	5943553.39	2166602.43
C5	5944545.29	2169522.43
C6	5945376.99	2169572.23
C7	5946085.69	2166728.23
C8	5946886.99	2167508.93
C9	5947166.09	2168359.43
C10	5948049.99	2169917.43
C11	5948433.89	2170455.43
C12	5949233.79	2171119.43
C13	5950417.39	2171891.43
C14	5951329.29	2172656.43
C15	5952138.39	2173530.43
C16	5952989.89	2174706.43
C17	5955671.89	2180451.43
C18	5956236.79	2183159.43
C19	5957823.09	2186979.43
C20	5958152.59	2187513.43
C21	5958981.79	2187878.43
C22	5959281.79	2188678.43
C23	5959581.79	2189078.43

NAD 83
CHANNEL ANGLE POINTS
HUMBOLDT BAY (BAR & ENTRANCE)

∠ PT	X	Y	∠ PT	X	Y
1	5936596.69	2173163.63	24	5959081.79	2187578.43
2	5938385.39	2172268.83	25	5958421.69	2187381.23
3	5940404.09	2171258.93	26	5958007.99	2186903.83
4	5943666.09	2166944.43	27	5956425.99	2183093.63
5	5944727.49	2166468.93	28	5956165.59	2181842.63
6	5945239.99	2166500.93	29	5956348.69	2181242.93
7	5945752.39	2166911.73	30	5955866.99	2180393.43
8	5946464.09	2167631.33	31	5955163.09	2174604.63
9	5946953.59	2168479.53	32	5952300.39	2173413.53
10	5947831.59	2170042.13	33	5951516.79	2172459.53
11	5948193.09	2170679.33	34	5950526.69	2171724.13
12	5949124.59	2171287.03	35	5949124.09	2170952.03
13	5950308.59	2172059.13	36	5948674.79	2170232.13
14	5951141.79	2172853.23	37	5948301.49	2169794.33
15	5951976.39	2173648.23	38	5947388.59	2168234.23
16	5952816.79	2174808.43	39	5946907.49	2167381.23
17	5954847.79	2180520.43	40	5946431.39	2166537.23
18	5956047.79	2183225.93	41	5945672.89	2165192.43
19	5957638.19	2187056.43	42	5945354.09	2162524.63
20	5957893.59	2187647.53	43	5944363.09	2165776.33
21	5958881.79	2188978.43	44	5943441.39	2162616.63
22	5959581.79	2189078.43	45	5940126.19	2170287.93
23	5959681.79	2188378.43	46	5937908.79	2170746.43
			47	5935950.29	2171151.43



US Army Corps
of Engineers
San Francisco District
1455 Market Street
San Francisco, CA 94103

Mark	Description	Date	Appr.

DESIGNED BY:	CHECKED BY:	DRAWN BY:
PDT	PDT	PDT
3/30/2012	1 OF 10	X XXX
DATE:	SHEET NO.	DRAWING NO.
PREPARED UNDER THE DIRECTION OF		
TORREY A. DICIRO		
LT. COLONEL, C.E., DISTRICT ENGINEER		

HUMBOLDT COUNTY
CALIFORNIA
HUMBOLDT BAY
BAR & ENTRANCE
CONDITION SURVEY
8 & 25 MARCH 2012

Sheet reference
number
C1