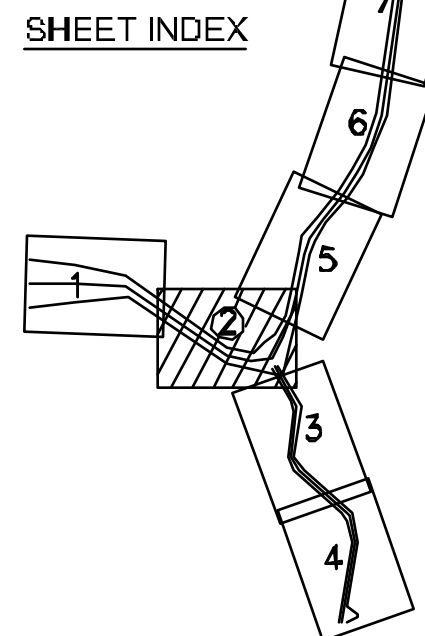
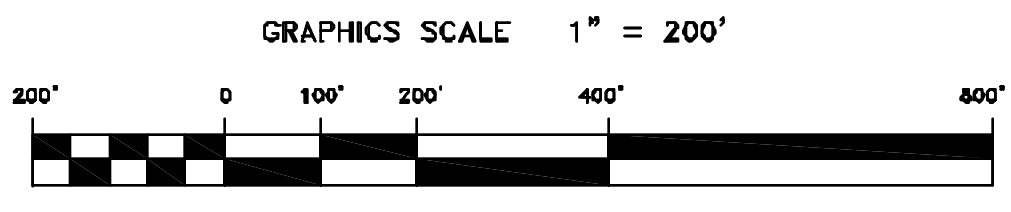


PRELIMINARY ISSUE
 HORIZONTAL SCALE ONLY
 ADVANCE IN CLERK CONTROL

LEGEND:

— (Black line)	-48'
— (Green line)	-47'
— (Blue line)	-46'
— (Cyan line)	-45'
— (Red line)	-44'



US Army Corps of Engineers
 San Francisco District
 1455 Market Street
 San Francisco, CA 94103

Mark	Description	Date	Appr.

SUBMITTED BY:	PDT	DESIGNED BY:	PD	CHECKED BY:	PD	DRAWN BY:	PDT
APPROVAL RECOMMENDED:		DATE:	3/7/2010	SHEET NO.:	2 OF 10	DRAWING NO.:	XXX
APPROVED:		PREPARED UNDER THE DIRECTION OF:				TORREY A. DICIRO	
						Lt. Colonel, C.E., DISTRICT ENGINEER	

HUMBOLDT COUNTY CALIFORNIA
HUMBOLDT BAY BAR & ENTRANCE
 CONDITION SURVEY
 1-2, 5-6 MARCH 2011

Sheet reference number
C2