

PRELIMINARY ISSUE  
THIS PLAN ISSUED FOR  
ADVANCE INFORMATION ONLY

NAD 1983  
CENTERLINE ANGLE POINTS  
EUREKA CHANNEL

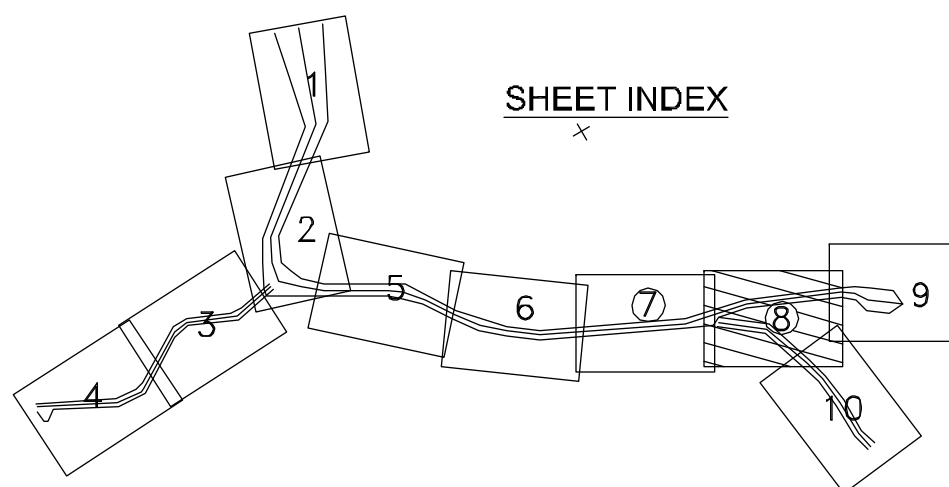
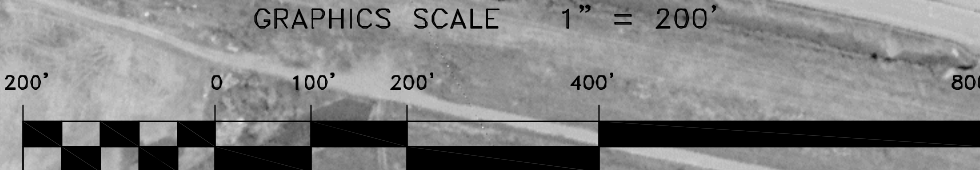
POINT	X	Y
E1	5956340.80	2181760.27
E2	5957627.90	2183343.37
E3	5959751.10	2184419.87
E4	5960897.30	2184451.27
E5	5961961.30	2184636.47
E6	5963519.70	2184680.17
E7	5964284.40	2184855.97

NAD 1983  
CHANNEL ANGLE POINTS  
EUREKA CHANNEL

POINT	X	Y
1E	5956172.99	2181852.43
2E	5957495.79	2183593.43
3E	5959682.09	2184360.53
4E	5960648.49	2184617.63
5E	5961936.19	2184796.04
6E	5963519.70	2184839.53
7E	5964225.19	2185019.53
8E	5964324.49	2184632.13
9E	5963537.79	2184430.83
10E	5961968.09	2184396.83
11E	5960727.59	2184224.73
12E	5959981.89	2183978.43
13E	5957741.49	2183232.93
14E	5956489.79	2181608.03

LEGEND:

—	-26'
—	-25'
—	-24'
—	-23'
—	-22'



**US Army Corps of Engineers**  
San Francisco District  
455 Market Street  
San Francisco, CA 94103

Mark	Description	Date	Appr.

DESIGNED BY:	CHECKED BY:	DRAWN BY:
PDT	PDI	PDI

APPROVAL RECOMMENDED:	DATE:	SHEET NO.:	DRAWING NO.:
CHIEF, Geomatics Section	8/2/2011	8 OF 10	X X XXX

PREPARED UNDER THE DIRECTION OF  
TORREY A. DICIRO  
LT. COLONEL, C.E., DISTRICT ENGINEER

SUBMITTED:	PDT	DESIGNED BY:	CHECKED BY:	DRAWN BY:
Hydro Survey Team Leader	PDT	PDI	PDI	PDI

HUMBOLDT COUNTY CALIFORNIA  
HUMBOLDT BAY  
SAMOA & EUREKA CHANNEL  
POSTREDGE SURVEY  
16 JULY 2011

Sheet reference number  
C8