

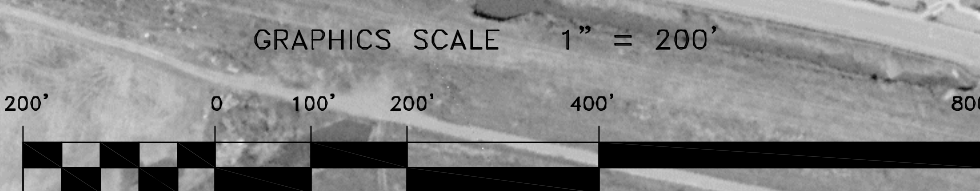


NAD 1983
CENTERLINE ANGLE POINTS
EUREKA CHANNEL

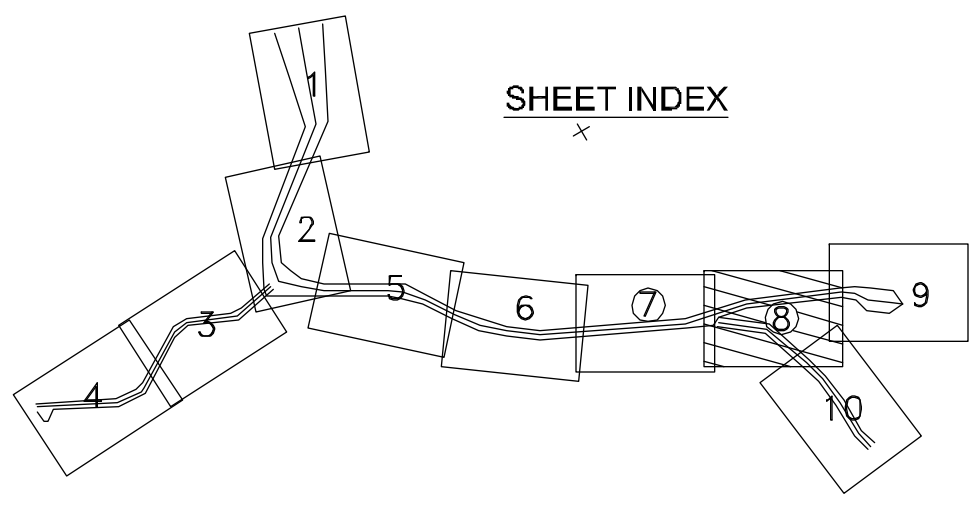
POINT	X	Y
E1	5956340.80	2181760.27
E2	5957627.90	2183349.37
E3	5958751.10	2184491.87
E4	5960697.30	2184451.27
E5	5961961.30	2184636.47
E6	5963519.70	2184680.17
E7	5964284.40	2184655.97

NAD 1983
CHANNEL ANGLE POINTS
EUREKA CHANNEL

POINT	X	Y
1E	5956172.99	2181852.43
2E	5957495.79	2183593.43
3E	5958682.09	2184360.53
4E	5960648.49	2184617.63
5E	5961936.19	2184796.04
6E	5963519.70	2184839.53
7E	5964225.19	2185019.53
8E	5964324.49	2184632.13
9E	5963537.79	2184430.83
10E	5961968.09	2184396.83
11E	5960727.59	2184224.73
12E	5959961.89	2183978.43
13E	5957747.49	2183232.93
14E	5956489.79	2181608.03



PRELIMINARY ISSUE
THIS PLAN ISSUED FOR
ADVANCE INFORMATION ONLY



LEGEND:

—	-26'
—	-25'
—	-24'
—	-23'
—	-22'

US Army Corps
of Engineers
San Francisco District
455 Market Street
San Francisco, CA 94103

Mark	Description	Date	Appr.

SUBMITTED:	PDT	DESIGNED BY:	CHECKED BY:	DRAWN BY:
Humb Survey Team Leader		PDI	PDI	PDI
APPROVAL RECOMMENDED:	SHEET NO.	DATE:		
Chief, Humb Survey Section	8 OF 10	3/7/2013	X	X
APPROVED:	PREPARED UNDER THE DIRECTION OF		JOHN K. BAKER	
Chief, Construction Branch	LT. COLONEL, C.E., DISTRICT ENGINEER			

HUMBOLDT COUNTY CALIFORNIA
**HUMBOLDT BAY
SAMOA & EUREKA CHANNEL**
CONDITION SURVEY
23-28 FEBRUARY 2013

Sheet reference
number
C8