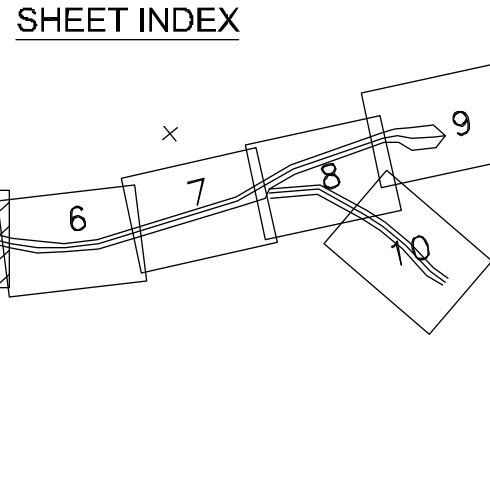
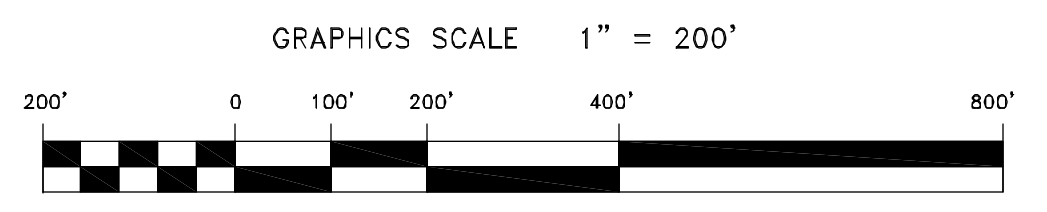


PRELIMINARY ISSUE
THIS PLAN IS ISSUED FOR
ADVANCED INFORMATION ONLY



LEGEND:

—	-38'
—	-37'
—	-36'
—	-35'
—	-34'



US Army Corps of Engineers
San Francisco District
1455 Market Street
San Francisco, CA 94103

Mark	Description	Date	Appr.

SUBMITTED: PDI Humboldt Bay Lighted Buoy 10	DESIGNED BY: PDI	DRAWN BY: PDI
	APPROVAL RECOMMENDED:	SHEET NO. 5 OF 10
DATE: 3/3/2010	DATE: 3/3/2010	DATE: 3/3/2010
APPROVE:	PREPARED UNDER THE DIRECTION OF LAURENCE M. FARRELL	DATE: 3/3/2010
Chief, Construction Branch	LT. COLONEL, C.E., DISTRICT ENGINEER	

HUMBOLDT COUNTY CALIFORNIA
**HUMBOLDT BAY NORTH BAY CHANNEL
PREDECESSOR SURVEY
17 FEBRUARY 2010**

Sheet reference number
C5