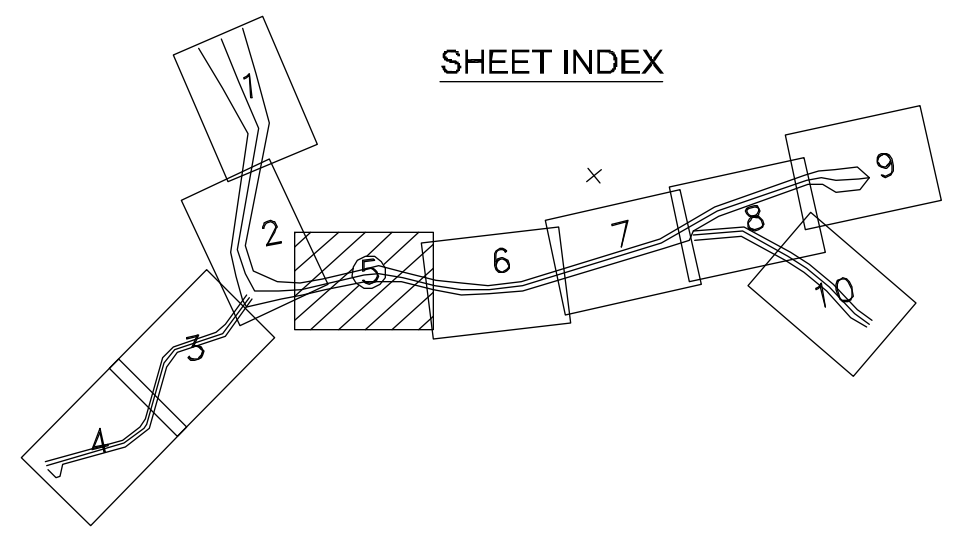
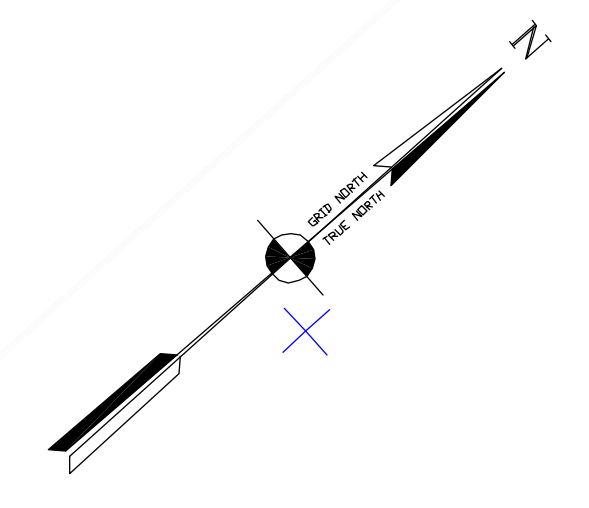
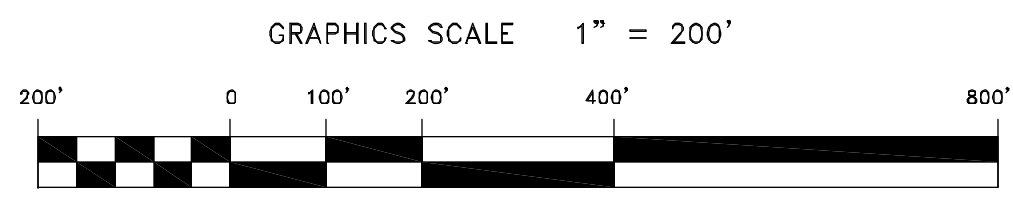


PRELIMINARY ISSUE
THIS PLAN IS ISSUED FOR
ADVANCED INFORMATION ONLY



LEGEND:

Black line	-38'
Green line	-37'
Blue line	-36'
Cyan line	-35'
Red line	-34'



US Army Corps
of Engineers
San Francisco District
1455 Market Street
San Francisco, CA 94103

Mark	Description	Date	Appr.

DESIGNED BY:	PDT	CHECKED BY:	PDI	DRAWN BY:	PDT
DATE:	2/13/2014	DATE:	5 OF 10	SHEET NO.:	X
APPROVAL RECOMMENDED:	Chief, Hydro Survey Section	APPROVED:	PREPARED UNDER THE DIRECTION OF	DATE:	X
APPROVED:	John K. Baker	APPROVED:	John K. Baker	DATE:	XXX
Chief, Construction Branch		Chief, Construction Branch			

HUMBOLDT COUNTY CALIFORNIA
HUMBOLDT BAY
NORTHBAY CHANNEL
CONDITION SURVEY
6-10 FEBRUARY 2014

Sheet reference number
C5