

US Army Corps of Engineers
 San Francisco District
 1455 Market Street
 San Francisco, CA 94103

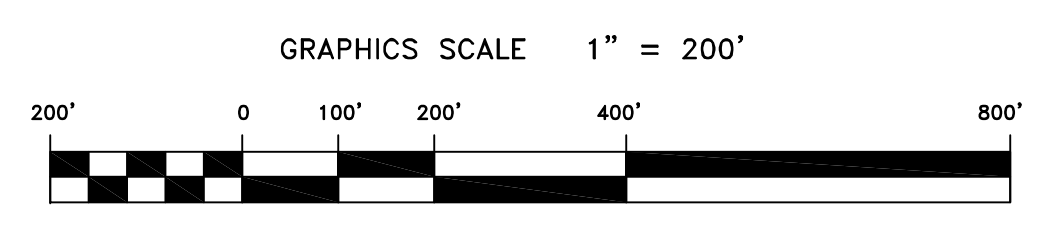
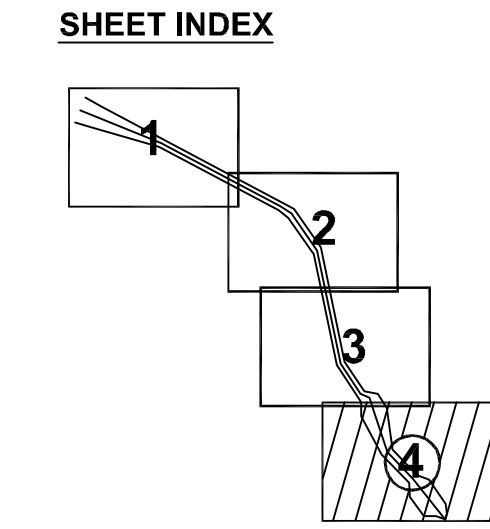
Mark	Description	Date	Appr.

DESIGNED BY:	DESIGNED BY:	DESIGNED BY:	DESIGNED BY:	DESIGNED BY:
PDT	PDT	PDT	PDT	PDT
1/4/2012	4 OF 4	54	2	XXX
PREPARED UNDER THE DIRECTION OF TORREY A. DICIRO				
LT. COLONEL, C.E., DISTRICT ENGINEER				

CALIFORNIA
REDWOOD CITY
 POSTDRIDGE SURVEY
 2, 4, 7-8 & 30 NOVEMBER
 19, 21-22 DECEMBER 2011

Sheet reference number
C4

PRELIMINARY ISSUE
 THIS PLAN ISSUED FOR
 ADVANCE INFORMATION ONLY



MATCHLINE - SHEET 3

Redwood Creek Light 18
 Redwood Creek Light 20
 Stationing: 161+00, 162+00, 163+00, 164+00, 165+00, 166+00, 167+00, 168+00, 169+00, 170+00, 171+00, 172+00, 173+00, 174+00, 175+00, 176+00, 177+00, 178+00, 179+00, 180+00, 181+00, 182+00, 183+00, 184+00, 185+00, 186+00, 187+00, 188+00, 189+00, 190+00, 191+00, 192+00, 193+00, 194+00, 195+00, 196+00, 197+00, 198+00, 199+00, 200+00, 201+00, 202+00, 203+00, 204+00, 205+00, 206+00, 207+00, 208+00, 208+49

Bearings: W 122° 12' 40", W 122° 13' 00", W 122° 13' 20", N 97° 31' 20"