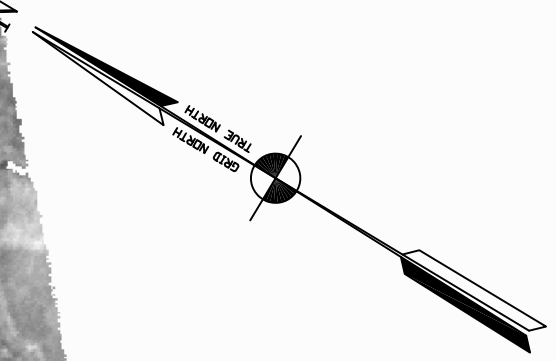
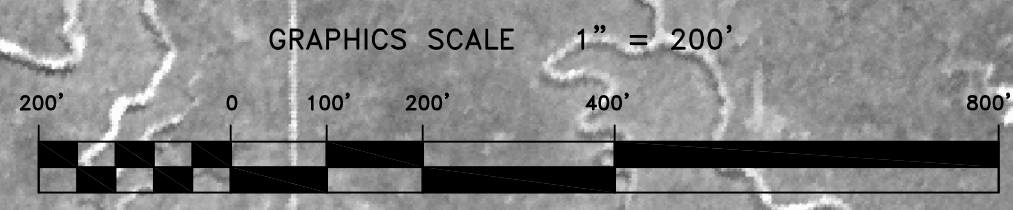
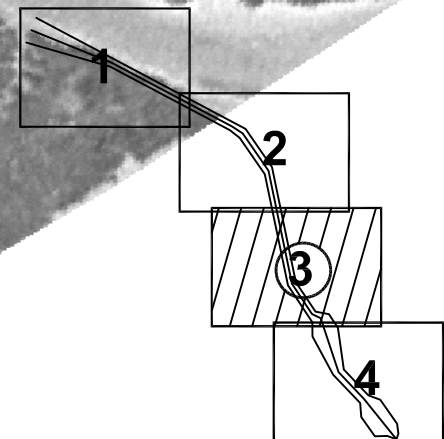


PRELIMINARY ISSUE
THIS PLAN ISSUED FOR
ADVANCE INFORMATION ONLY

SHEET INDEX



US Army Corps
of Engineers
San Francisco District
1455 Market Street
San Francisco, CA 94103

Mark	Description	Date	Appr.

DESIGNED BY:	CHECKED BY:	DRAWN BY:	PDT
DATE:	DATE:	DATE:	DATE:
1/4/2012	1/4/2012	1/4/2012	1/4/2012
3 OF 4	3 OF 4	3 OF 4	3 OF 4
SHEET NO.	SHEET NO.	SHEET NO.	SHEET NO.
54	54	54	54
DRAWING NO.	DRAWING NO.	DRAWING NO.	DRAWING NO.
2	2	2	2
XXX	XXX	XXX	XXX
APPROVAL RECOMMENDED:			
APPROVED:			
PREPARED UNDER THE DIRECTION OF			
TORREY A. DICIRO			
LT. COLONEL, C.E., DISTRICT ENGINEER			

SAN MATEO COUNTY
CALIFORNIA
REDWOOD CITY
POSTDRUDGE SURVEY
2, 4, 7-8 & 30 NOVEMBER
19, 21-22 DECEMBER 2011

Sheet reference number
C3