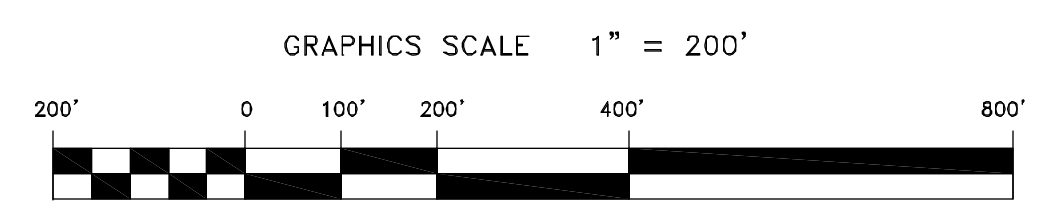
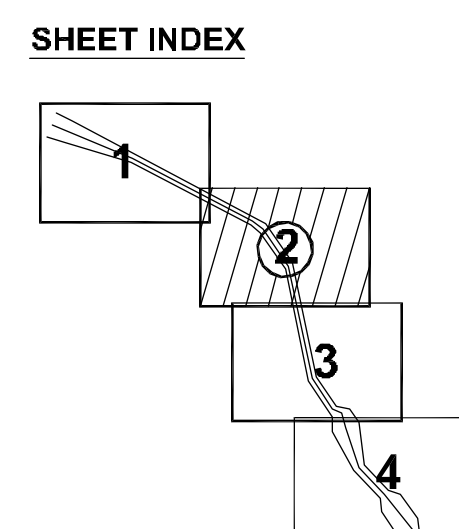
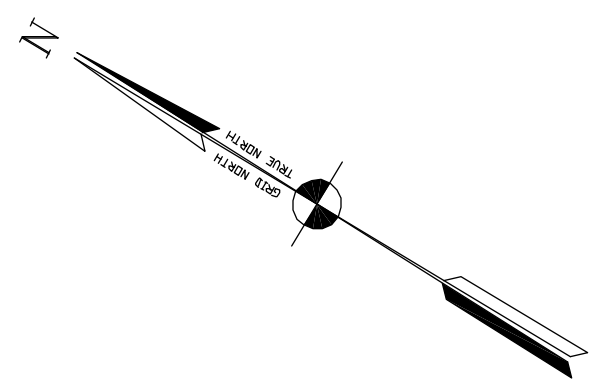


PRELIMINARY ISSUE
THIS PLAN ISSUED FOR
ADVANCE INFORMATION ONLY



US Army Corps
of Engineers
San Francisco District
1455 Market Street
San Francisco, CA 94103

Mark	Description	Date	Appr.

SUBMITTED: PC	DESIGNED BY: TVW	CHECKED BY: EWC	DRAWN BY: EWC
Hydro Survey Team Leader	DATE: 11/30/2009	SHEET NO. 2 OF 4	DRAWING NO. 2 XXX
APPROVAL RECOMMENDED:	PREPARED UNDER THE DIRECTION OF		
CHIEF, Technical Support Section	LAURENCE M. FARRELL		
APPROVED:	LT. COLONEL, C.E., DISTRICT ENGINEER		
Chief, Construction Branch			

SAN MATEO COUNTY CALIFORNIA
REDWOOD CITY
POSTREDGE SURVEY
3, 12-13, 19 & 24 NOVEMBER 2009

Sheet reference number
C2