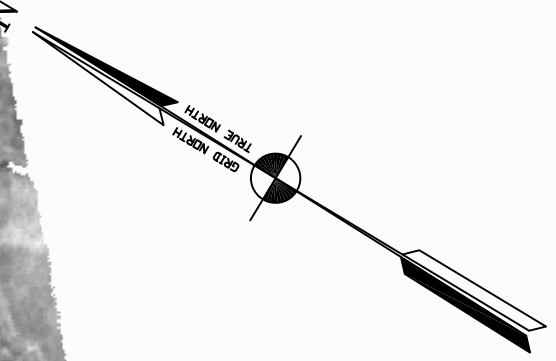
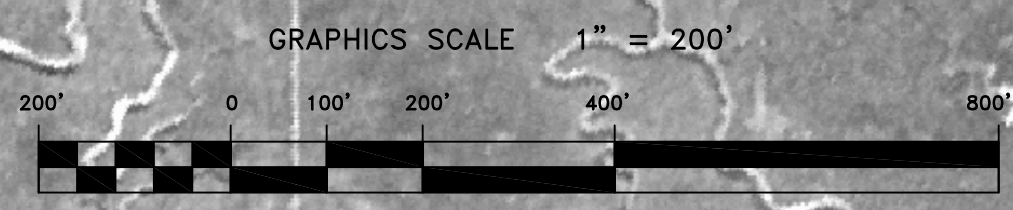
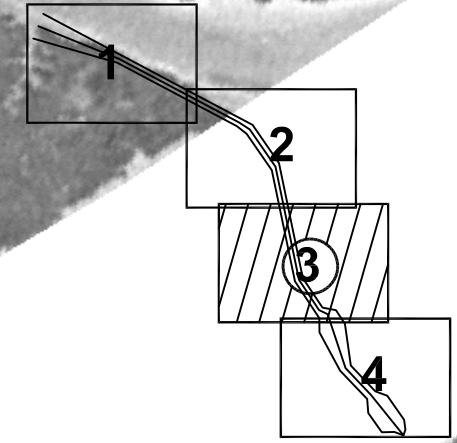


PRELIMINARY ISSUE
THIS PLAN ISSUED FOR
ADVANCE INFORMATION ONLY

SHEET INDEX



US Army Corps
of Engineers
San Francisco District
1455 Market Street
San Francisco, CA 94103

Mark	Description	Date	Appr.

SUBMITTED:	PDT	CHECKED BY:	PDT	DRAWN BY:	PDT
	Hydro Survey Team Leader		PDT		PDT
APPROVAL RECOMMENDED:	09/12/2012	DATE:	SHEET NO.	DRAWING NO.	
			3 OF 4		54
APPROVED:		PREPARED UNDER THE DIRECTION OF:	JOHN K. BAKER		
Chief, Construction Branch		LT. COLONEL, C.E., DISTRICT ENGINEER			

CALIFORNIA
SAN MATEO COUNTY
REDWOOD CITY
POSTREDGE SURVEY
CONTOUR AT -27.5
5-7 SEPTEMBER 2012

Sheet
reference
number
C3

MATCHLINE - SHEET 4