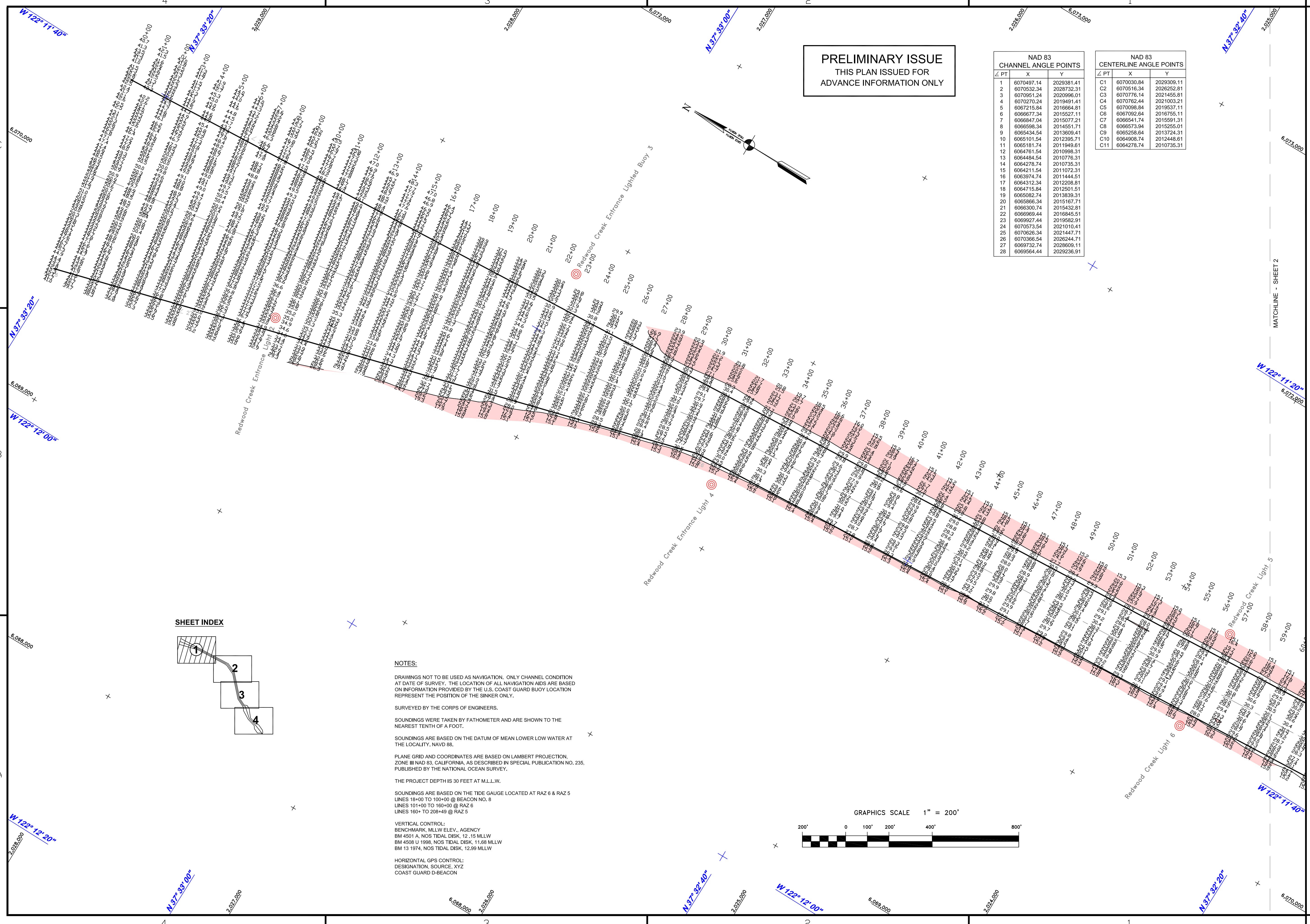
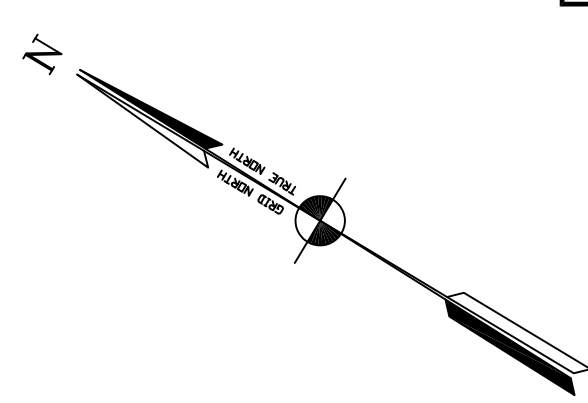


PRELIMINARY ISSUE  
THIS PLAN ISSUED FOR  
ADVANCE INFORMATION ONLY

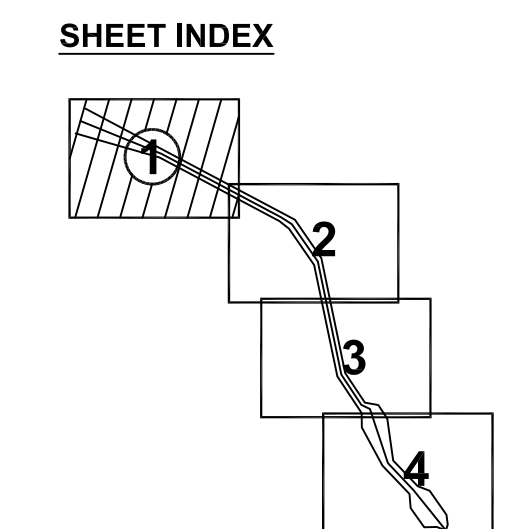
NAD 83 CHANNEL ANGLE POINTS		
∠ PT	X	Y
1	6070497.14	2029381.41
2	6070532.34	2028732.31
3	6070951.24	2020996.01
4	6070270.24	2019491.41
5	6067215.84	2016664.81
6	6066871.34	2015527.11
7	6066847.04	2015077.21
8	6066598.34	2014551.71
9	6065434.54	2013609.41
10	6065101.54	2012395.71
11	6065181.74	2011949.61
12	6064761.54	2010998.31
13	6064484.54	2010776.31
14	6064278.74	2010735.31
15	6064211.54	2011072.31
16	6063974.74	2011444.51
17	6064312.34	2012208.81
18	6064715.84	2012501.51
19	6065082.74	2013839.31
20	6065866.34	2015167.71
21	6066300.74	2015432.81
22	6066969.44	2016845.51
23	6069927.44	2019582.91
24	6070573.54	2021010.41
25	6070626.34	2021447.71
26	6070366.54	2026244.71
27	6069732.74	2028609.11
28	6069564.44	2029236.91

NAD 83 CENTERLINE ANGLE POINTS		
∠ PT	X	Y
C1	6070030.84	2029309.11
C2	6070516.34	2026252.81
C3	6070776.14	2021455.81
C4	6070762.44	2021003.21
C5	6070098.84	2019537.11
C6	6067092.64	2016755.11
C7	6066541.74	2015591.31
C8	6066573.94	2015255.01
C9	6065258.64	2013724.31
C10	6064908.74	2012448.61
C11	6064278.74	2010735.31



Mark	Description	Date	Appr.

SUBMITTED:	PDT	CHECKED BY:	PDT	DRAWN BY:	PDT
	Hydra Survey Team Leader	PDT			DRAWING NO.
APPROVAL RECOMMENDED:		DATE:	09/12/2012	SHEET NO.	1 OF 4
CHIEF, Geomatics Section		PREPARED UNDER THE DIRECTION OF			
APPROVED:		JOHN K. BAKER			
Chief, Construction Branch		LT. COLONEL, C.E., DISTRICT ENGINEER			



**NOTES:**

DRAWINGS NOT TO BE USED AS NAVIGATION. ONLY CHANNEL CONDITION AT DATE OF SURVEY. THE LOCATION OF ALL NAVIGATION AIDS ARE BASED ON INFORMATION PROVIDED BY THE U.S. COAST GUARD BUOY LOCATION REPRESENT THE POSITION OF THE SINKER ONLY.

SURVEYED BY THE CORPS OF ENGINEERS.

SOUNDINGS WERE TAKEN BY FATHOMETER AND ARE SHOWN TO THE NEAREST TENTH OF A FOOT.

SOUNDINGS ARE BASED ON THE DATUM OF MEAN LOWER LOW WATER AT THE LOCALITY, NAVD 88.

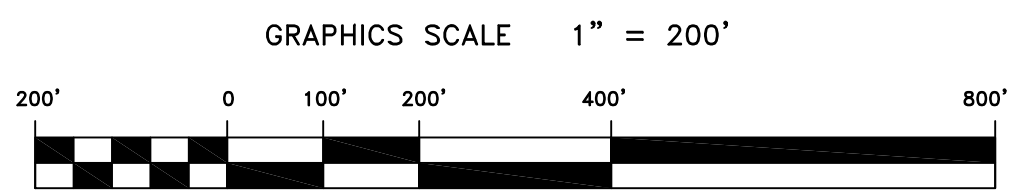
PLANE GRID AND COORDINATES ARE BASED ON LAMBERT PROJECTION, ZONE III NAD 83, CALIFORNIA, AS DESCRIBED IN SPECIAL PUBLICATION NO. 235, PUBLISHED BY THE NATIONAL OCEAN SURVEY.

THE PROJECT DEPTH IS 30 FEET AT M.L.L.W.

SOUNDINGS ARE BASED ON THE TIDE GAUGE LOCATED AT RAZ 6 & RAZ 5  
 LINES 18+00 TO 100+00 @ BEACON NO. 8  
 LINES 101+00 TO 160+00 @ RAZ 6  
 LINES 160+ TO 208+49 @ RAZ 5

VERTICAL CONTROL:  
 BENCHMARK, MLLW ELEV., AGENCY  
 BM 4501 A, NOS TIDAL DISK, 12.15 MLLW  
 BM 4508 U 1998, NOS TIDAL DISK, 11.68 MLLW  
 BM 13 1974, NOS TIDAL DISK, 12.99 MLLW

HORIZONTAL GPS CONTROL:  
 DESIGNATION, SOURCE, XYZ  
 COAST GUARD D-BEACON



CALIFORNIA  
SAN MATEO COUNTY  
**REDWOOD CITY**  
POSTDREDGE SURVEY  
CONTOUR AT -27.5'  
5-7 SEPTEMBER 2012

Sheet reference number  
**C1**

MATCHLINE - SHEET 2