

CHANNEL ANGLE POINTS NAD 1983		
CHANNEL ∠	EAST	NORTH
1	6028665.8184	2082886.0402
2	6039323.8184	2054933.0402
3	6038856.6184	2054749.9402
4	6028198.6184	2082707.9402

CENTERLINE ANGLE POINTS NAD 1983		
CENTERLINE ∠	EAST	NORTH
C1	6028432.2184	2082797.0402
C2	6039090.2184	2054839.0402

NOTES:

DRAWING NOT TO BE USED AS NAVIGATION CHART ONLY CHANNEL CONDITION AT DATE OF SURVEY THE LOCATION OF ALL NAVIGATION AIDS ARE BASED ON INFORMATION PROVIDED BY THE U.S. COAST GUARD BUOY LOCATIONS REPRESENT THE POSITION OF THE SINKER ONLY.

INFORMATION DEPICTED ON THIS MAP REPRESENTS THE RESULTS OF SURVEYS MADE ON THE DATES INDICATION AND CAN ONLY BE CONSIDERED AS INDICATING THE GENERAL CONDITIONS EXISTING AT THAT TIME.

SURVEYED BY THE CORPS ENGINEERS, 8,12-13 FEBRUARY AND 19 MARCH 2008.

SOUNDINGS ARE TAKEN BY FATHOMETER AND ARE SHOWN TO THE NEAREST FOOT AND TENTHS OF A FOOT.

SOUNDINGS ARE BASED ON THE DATUM OF MEAN LOWER LOW WATER AT THE LOCALITY. NAVD 88.

PLANE GRID, BEARING AND COORDINATES ARE BASED ON THE STATE OF CALIFORNIA COORDINATE SYSTEM, LAMBERT CONFORMAL PROJECTION, ZONE III NAD 83, CALIFORNIA, AS DESCRIBED IN SPECIAL PUBLICATION NO. 253, PUBLISHED BY NATIONAL OCEAN SURVEY.

THE PROJECT DEPTH IS 30 FEET AT MLL.W.

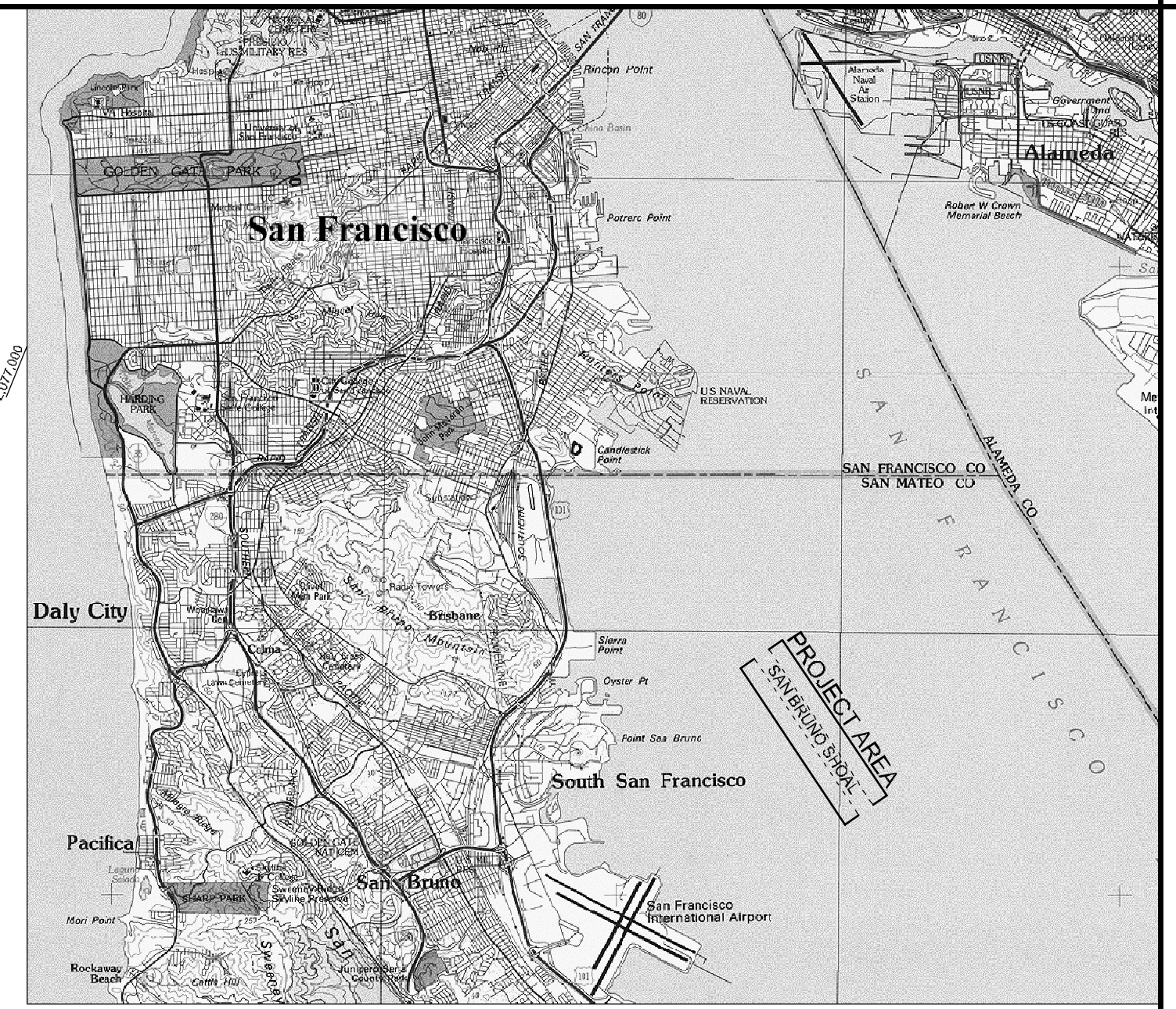
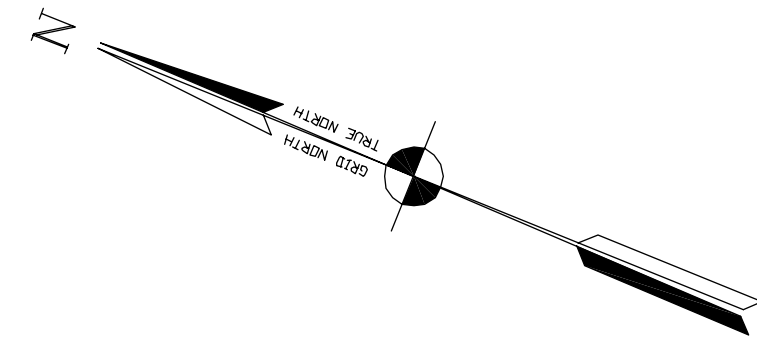
SOUNDINGS ARE BASED ON THE TIDE GAUGE LOCATED AT THE GYDE STREET PIER, SAN FRANCISCO, CALIFORNIA.

VERTICAL CONTROL
BENCHMARK "1" (1945) ELEV. 16.36 FT MLLW.
BENCHMARK "TIDAL BM 4" (1974) ELEV. 11.17 FT MLLW.

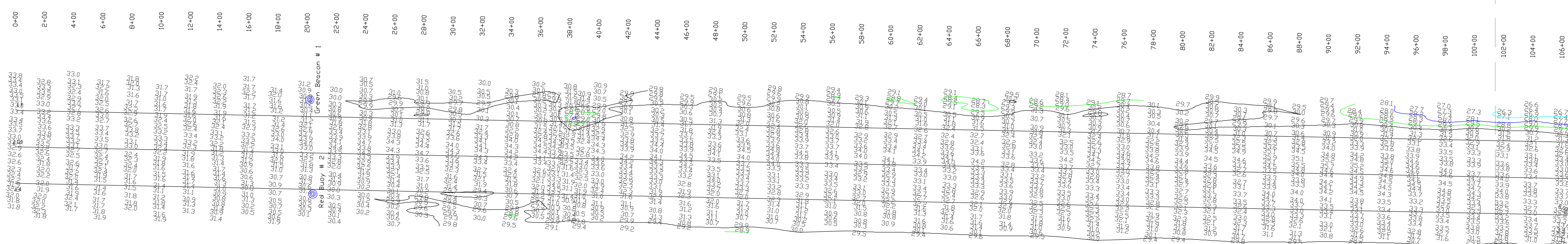
TIDE GAUGE LOCATED AT COYOTE PT. MARINA.

HORIZONTAL CONTROL
COAST GUARD D-BEACON

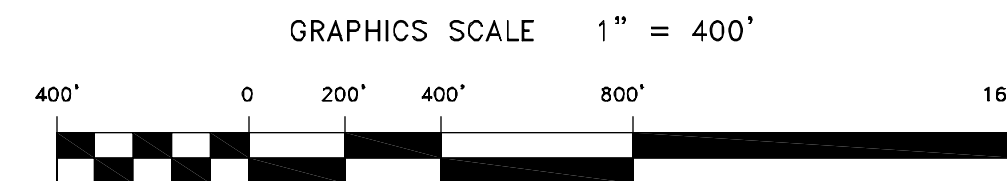
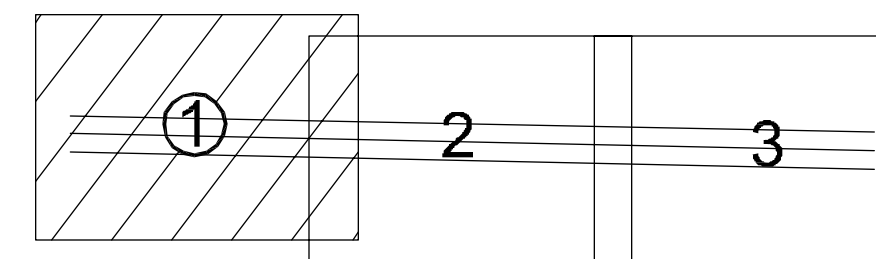
PRELIMINARY ISSUE
THIS PLAN ISSUED FOR
ADVANCE INFORMATION ONLY



VICINITY MAP
NOT TO SCALE



SHEET INDEX



MATCHLINE - SHEET 2

US Army Corps
of Engineers
San Francisco District
1455 Market Street
San Francisco, CA 94103

Mark	Description	Date	Appr.

SUBMITTED:	DESIGNED BY:	CHECKED BY:	DRAWN BY:
MC Hydro Survey Team Leader	TVM EWC		
APPROVAL:	DATE:	SHEET NO.:	DRAWING NO.:
	4/16/2008	1 OF 3	54 2 190
	PREPARED UNDER THE DIRECTION OF CRAIG W. KILEY		
	APPROVAL RECOMMENDED: LT. COLONEL C.E. DISTRICT ENGINEER		

CALIFORNIA
SAN BRUNO SHOAL
CONDITION SURVEY
8,12-13 FEBRUARY AND 19 MARCH 2008

Sheet reference number
C1